



PART No. CWST696NK

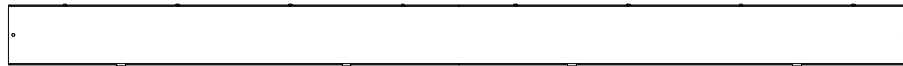
for more information visit
www.hammfg.com
Data subject to change without notice
Isometric drawing Not to Scale



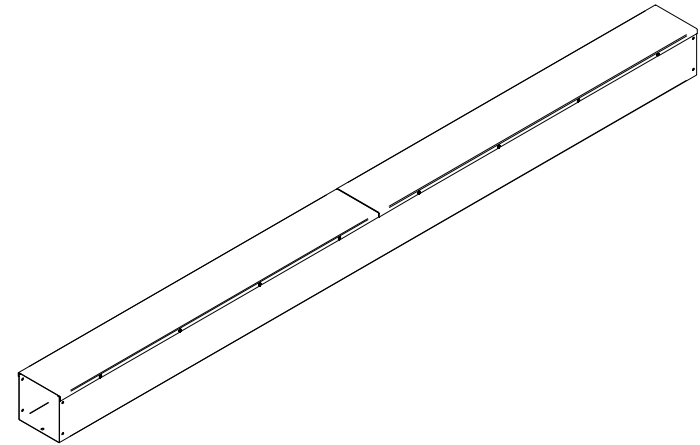
TOP VIEW



FRONT VIEW



BOTTOM VIEW



ISOMETRIC VIEW



SIDE VIEW



BACK VIEW



SIDE VIEW