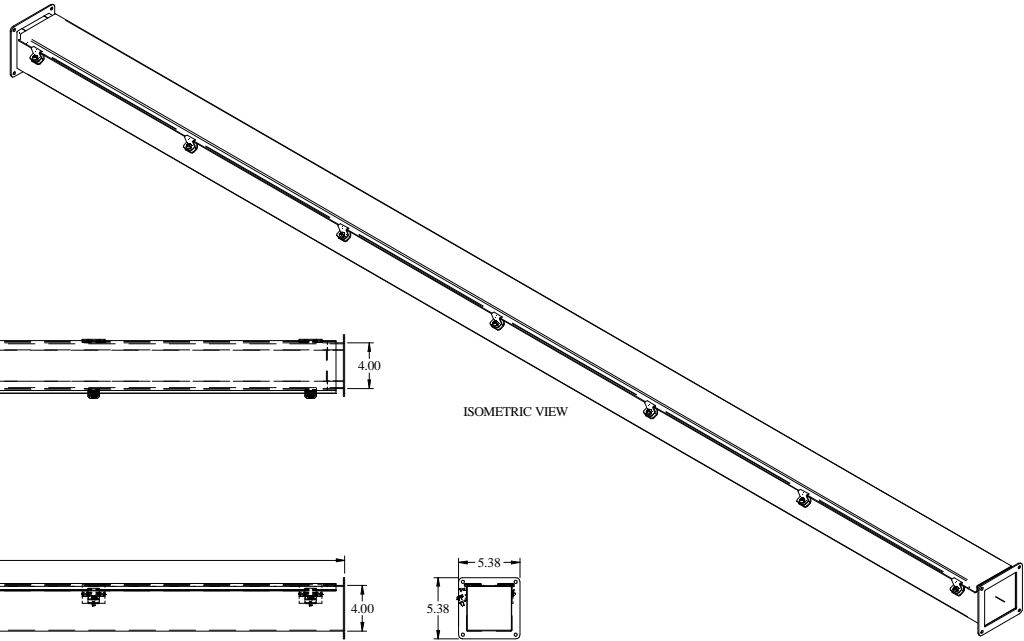
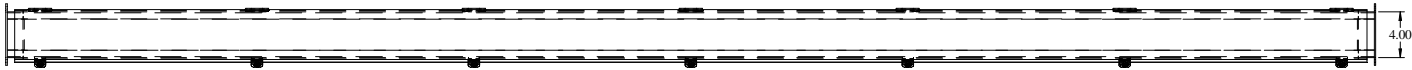


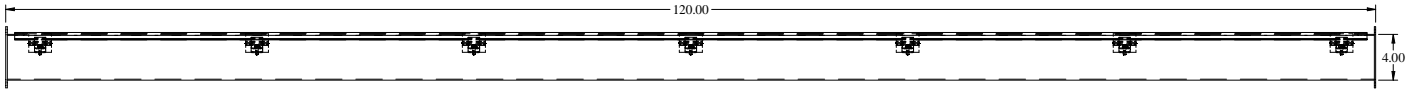
 **PART No. 1487C120SS**
for more information visit
www.hammondmfg.com
Data subject to change without notice
Isometric drawing Not to Scale



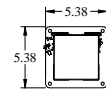
ISOMETRIC VIEW



TOP VIEW



SIDE VIEW



END VIEW