

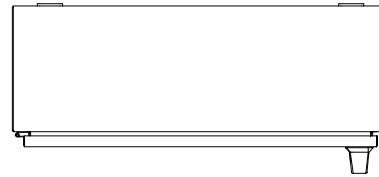


PART No. HW363010GYHK

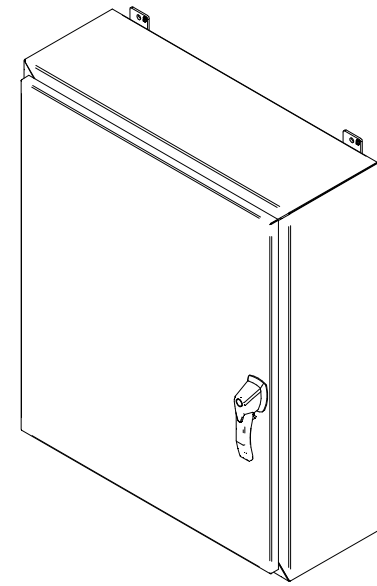
for more information visit
www.hammondmfg.com

Data subject to change without notice

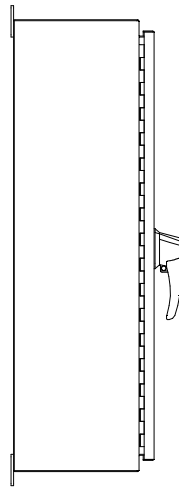
Isometric drawing Not to Scale



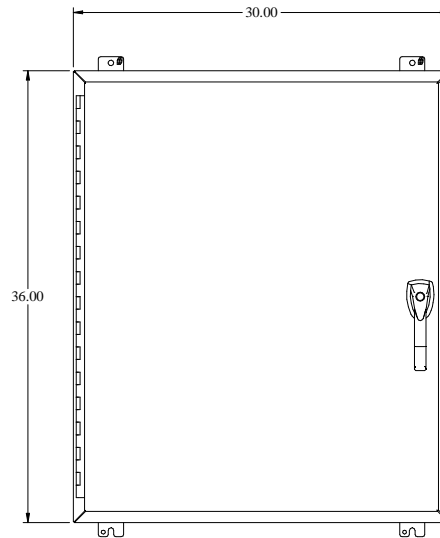
TOP VIEW



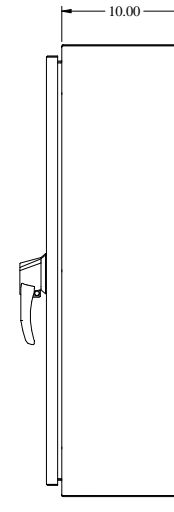
ISOMETRIC VIEW



SIDE VIEW



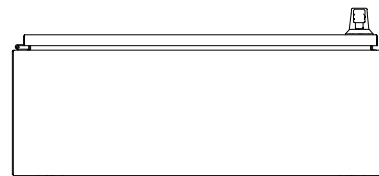
FRONT VIEW



SIDE VIEW



REAR VIEW



BOTTOM VIEW