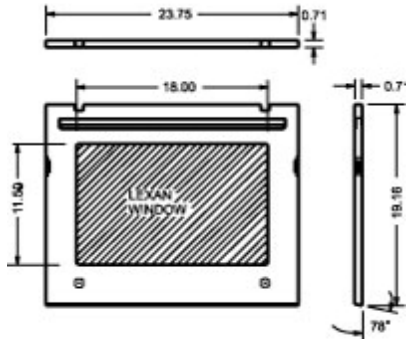




*Quality Products. Service Excellence.*

## Turret/Terminal Window Door *S2CWD Series*



- Maintains the NEMA rating of the enclosure.
- Constructed of 14 gauge steel and lexan window.
- Easy field installation.
- Fits Standard Turret, Deep Turret, and Data Terminal.
- Offered in 24" width only.
- Available in light gray and stainless steel.

Part No.	Finish
2CLTW24	ANSI 61 Gray (smooth)
2CSTW24	Stainless Steel



*Data subject to change without notice*

© 2017. Hammond Manufacturing Ltd. All rights reserved.