

Switches and Lighting Controls

Single Pole, 15A 120V AC

Toggle Switches

Features

- Hi-visibility yellow base for easy installation
- Elongated strap for easier wall box mounting
- Tough thermoplastic with ultrasonically welded cover and base
- Residential Grade

Ordering Information

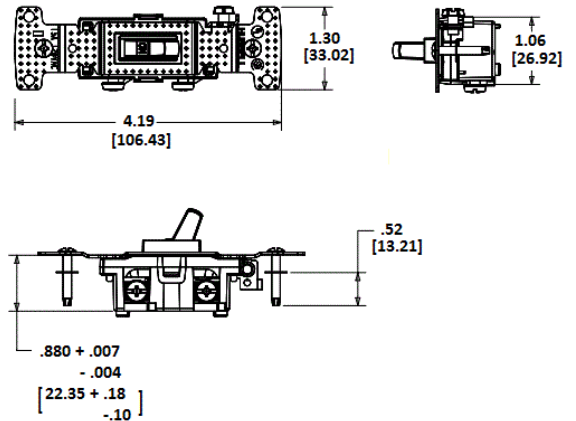
Color	UPC	Catalog Number
Light Almond	883778119330	RS115LA

Listings

CSA Certified
UL Listed E3896

Specifications

Operating Temperature	Max Continuous- 60 Degrees C, Minimum- -20 Without Impact
-----------------------	--



Online Resources

Customer Sales Drawings
eCatalog

Dimensions in Inches (mm)

Hubbell Wiring Device-Kellems • Hubbell Incorporated (Delaware) • 40 Waterview Drive • Shelton, CT 06484

Phone (800) 288-6000 • Fax (800) 255-1031 • Specifications subject to change without notice.

