

Features

- High density polyurethane construction supports heavy loads and is weather resistant
- Modular interlocking design for easy installation, breakdown and storage
- Safety surface pattern reduces slipping and skidding
- High visibility safety blue and yellow colors

Ordering Information

Dimensions

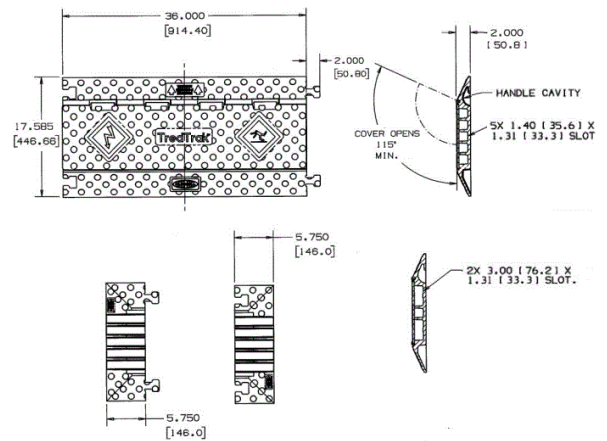
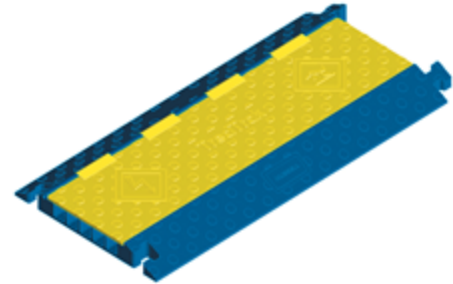
3 ft x 17.5 in x 1.95 in

UPC

783585537139

Catalog Number

HBLTRED5B



Online Resources

- Customer Sales Drawings
- eCatalog
- Installation Instructions