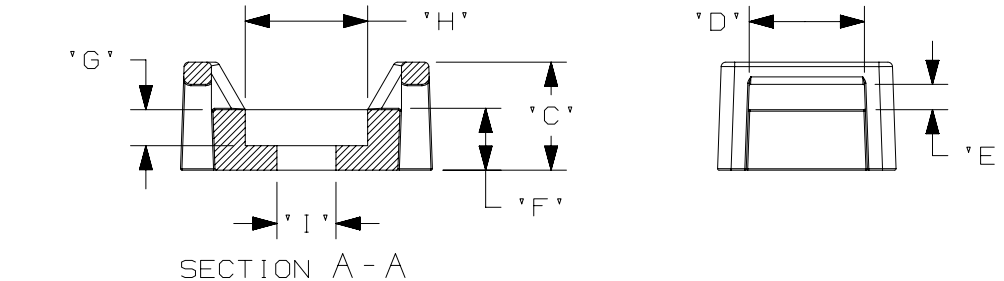
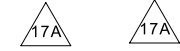
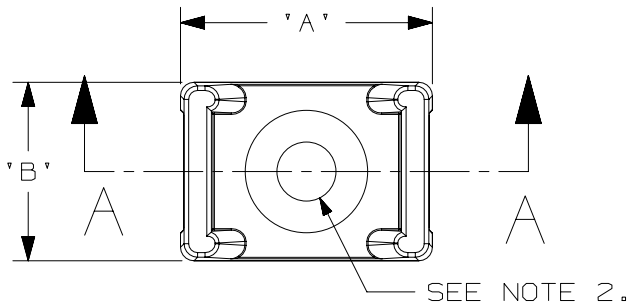


THIS COPY IS PROVIDED ON A RESTRICTED BASIS AND IS NOT TO BE USED IN ANY WAY DETRIMENTAL TO THE INTERESTS OF PANDUIT CORP.

PANDUIT PART NO.*	RECOMMENDED FASTENER	'A'	'B'	'C'	'D'	'E'	'F'	'G' 'REF'	'H' 'REF'	'I' 'REF'	USE WITH THESE CABLE TIE CROSS SECTIONS	WEIGHT (g) lbs/100 pcs.	
TM3S8	#8 (M4) SCREW	0.863 [21.9]	0.610 [15.5]	0.373 [9.4]	0.320 [8.1] ±.020 [0.5]	0.088 [2.2] ±.020 [0.5]	0.208 [5.3]	0.105 [2.7]	0.325 [8.3]	0.180 [4.6]	MINIATURE INTERMEDIATE STANDARD LT. HEAVY	0.369 (167.5)	
TM3S10	#10 (M5) SCREW							0.115 [2.9]	0.415 [10.5]	0.210 [5.3]		0.363 (165.0)	
TM3S25	1/4" (M6) SCREW	0.879 [22.3]	0.629 [16.0]	0.379 [9.6]				0.210 [5.3]	0.155 [3.9]	0.506 [12.9]		0.262 [6.7]	0.296 (134.5)
TM3S2510	#10 (M5) SCREW	0.873 [22.2]	0.620 [15.7]					0.212 [5.4]	0.120 [3.0]	0.480 [12.2]		0.200 [5.1]	0.321 (145.5)



NOTES:

- *1. SEE www.panduit.com FOR CURRENT PART NUMBER SUFFIX DESIGNATION AND FOR PACKAGE SIZE AND PART COLOR. SEE www.panduit.com FOR TEFZEL, METAL DETECTABLE AND PEEK MOUNT DRAWINGS.
- 2. HOLE DIMENSIONS SHOULD ACCOMMODATE SPECIFIED RECOMMENDED FASTENER.
- 3. BAG MAY CONTAIN EXTRA PIECES TO COMPENSATE FOR VARIANCE IN THE PACKAGING PROCESS. PANDUIT ASSURES MINIMUM PIECE COUNT AS STATED ON THE BAG.

DIMENSIONS IN BRACKETS ARE METRIC [mm]

TITLE		TM3S - TIE MOUNT	
ITEM REVISION NAME		CUSTOMER DRAWING	
DATASET FILE NAME		10B015KD/17	
MATERIAL:		PANDUIT	
UNLESS OTHERWISE SPECIFIED, DIMENSIONAL TOLERANCES ARE: IN [mm]		SEE NOTE 1	
.x ± 0.05 (1.3)		.xxx ± 0.010 (0.25)	
.xx ± 0.02 (0.5)		ANGLES ± 5 °	
DRAWING NUMBER:		GB0239EN	
THIRD ANGLE PROJECTION		SHT 1 OF 1	
DRAWN BY	DATE	CHK	SCALE
AJV	12/17/96	JADE	NONE
REV	DATE	BY	CHK
17A	3/10/2023	RVU	ANRO
16	2/1/2021	RVU	JADE
15	3/11/2019	BMAG	JHAC
14	9/14/17	RVU	CLW
13	10/03/13	BWG	KJM
12	6/27/13	BWG	JADE
APR	DESCRIPTION		ECN
	UPDATED MILLIMETERS [] 'H' AND 'I'.		GAECN06697
	ADDED NOTE 3.		GAECN05875
	'I' DIMENSION CHANGED TO .210		GAECN04828
	'H' DIAMETER NEED TO CHANGE FROM .385 TO .415.		GAECN04367
	REVISED TOLERANCES TO BE IN LINE WITH OTHER MOUNT DRAWINGS.		GB0239EN/13
	REVISED CHART AND NOTE 1. SEE ECN FOR FULL DETAILS.		GB0239EN/12

D101000DA/16