



Possible alternative: 3SE6315-0BB02-1AP0 as of 10.2022 contact-free safety switch RFID rectangular 106 mm x 25 mm individually coded multiple teach-in capability with M12 plug 8-pole. actuator 3SE6310-0BC01 to be ordered separately.

product brand name	SIRIUS
product designation	RFID safety switch
design of the product	Rectangular sensor unit
product type designation	3SE63
suitability for use safety-related circuits	Yes
<b>General technical data</b>	
product function	
• positive opening	No
• cross-circuit/short-circuit recognition	Yes
product feature	individually coded, learnable multiple times, without magnet latching
type of voltage of the operating voltage	DC
protection class IP	IP65, IP67, IP69k
shock resistance according to IEC 60068-2-27	Sinusoidal half-wave 30g / 11 ms
vibration resistance according to IEC 60068-2-6	10 ... 55 Hz: 1 mm
Substance Prohibitance (Date)	07/01/2006
SVHC substance name	Bleimonoxyd (Bleioxyd) - 1317-36-8
height of the sensor	22 mm
length of the sensor	106 mm
width of the sensor	25 mm
material of the active sensor area	plastic
<b>Ambient conditions</b>	
ambient temperature during operation	-25 ... +70 °C
<b>Control circuit/ Control</b>	
type of voltage	DC
operating voltage rated value	24 V
operational current rated value	600 mA
<b>Enclosure</b>	
material of the enclosure	plastic
material of cable sheath	PVC
<b>Actuator</b>	
design of the actuating element	RFID
<b>Display</b>	
evaluation unit required	yes
<b>Contact</b>	
switching frequency	1 Hz
operating distance	12 mm
assured operating distance OFF	16 mm
assured operating distance ON	10 mm
design of the switching function	positive switching
number of switching contacts for signaling function	

• safety-related	1		
<b>Installation/ mounting/ dimensions</b>			
fastening method	screw fixing		
<b>Connections/ Terminals</b>			
type of electrical connection	M12 plug, 8-pole		
wire length maximum	30 m		
<b>Supply voltage</b>			
supply voltage	26.4 ... 20.4 V		
<b>Inputs/ Outputs</b>			
output current	0.5 A		
output current at safety-related output maximum	0.25 A		
design of the interface for safety-related communication	connector M12		
transmission frequency rated value	125 kHz		
<b>Safety related data</b>			
Safety Integrity Level (SIL) according to IEC 61508	3		
performance level (PL) according to EN ISO 13849-1	e		
category according to EN 954-1	4		
<b>Certificates/ approvals</b>			
General Product Approval	EMC	Functional Safety/Safety of Machinery	Declaration of Conformity

[Confirmation](#)



[Type Examination Certificate](#)



Declaration of Conformity

other



[Confirmation](#)

#### Further information

**Siemens has decided to exit the Russian market (see here).**

<https://press.siemens.com/global/en/pressrelease/siemens-wind-down-russian-business>

**Siemens is working on the renewal of the current EAC certificates.**

Please contact your local Siemens office on the status of validity of the EAC certification if you intend to import or offer to supply these products to an EAC relevant market (other than the sanctioned EAEU member states Russia or Belarus).

**Information on the packaging**

<https://support.industry.siemens.com/cs/ww/en/view/109813875>

**Information- and Downloadcenter (Catalogs, Brochures,...)**

<https://www.siemens.com/ic10>

**Industry Mall (Online ordering system)**

<https://mall.industry.siemens.com/mall/en/en/Catalog/product?mlfb=3SE6315-0BB02>

**Cax online generator**

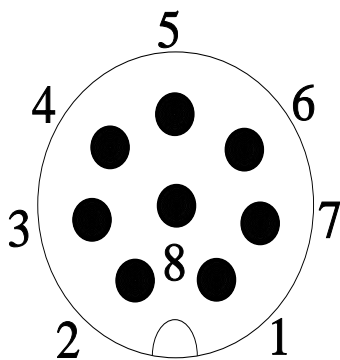
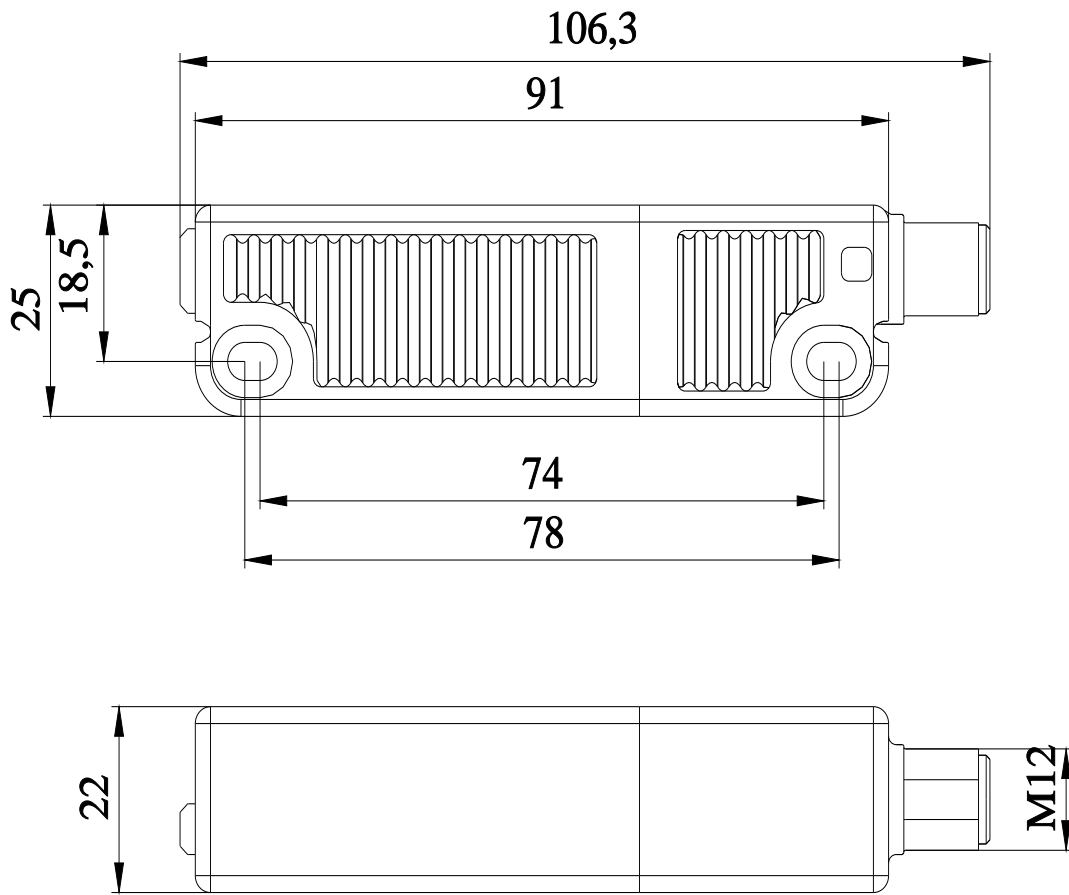
<http://support.automation.siemens.com/WW/CAXorder/default.aspx?lang=en&mlfb=3SE6315-0BB02>

**Service&Support (Manuals, Certificates, Characteristics, FAQs,...)**

<https://support.industry.siemens.com/cs/ww/en/ps/3SE6315-0BB02>

**Image database (product images, 2D dimension drawings, 3D models, device circuit diagrams, EPLAN macros, ...)**

[http://www.automation.siemens.com/bilddb/cax\\_de.aspx?mlfb=3SE6315-0BB02&lang=en](http://www.automation.siemens.com/bilddb/cax_de.aspx?mlfb=3SE6315-0BB02&lang=en)



1	WH = White	→	A1
2	BN = Brown	→	X1
3	GN = Green	→	A2
4	YE = Yellow	→	OSSD1
5	GY = Grey	→	OUT
6	PK = Pink	→	X2
7	BU = Blue	→	OSSD2
8	RD = Red	→	n. c.

