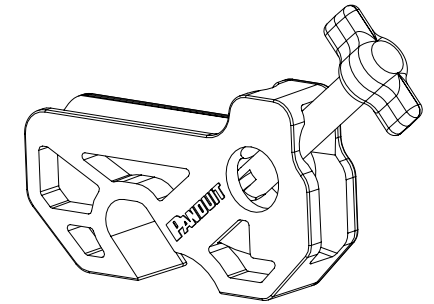
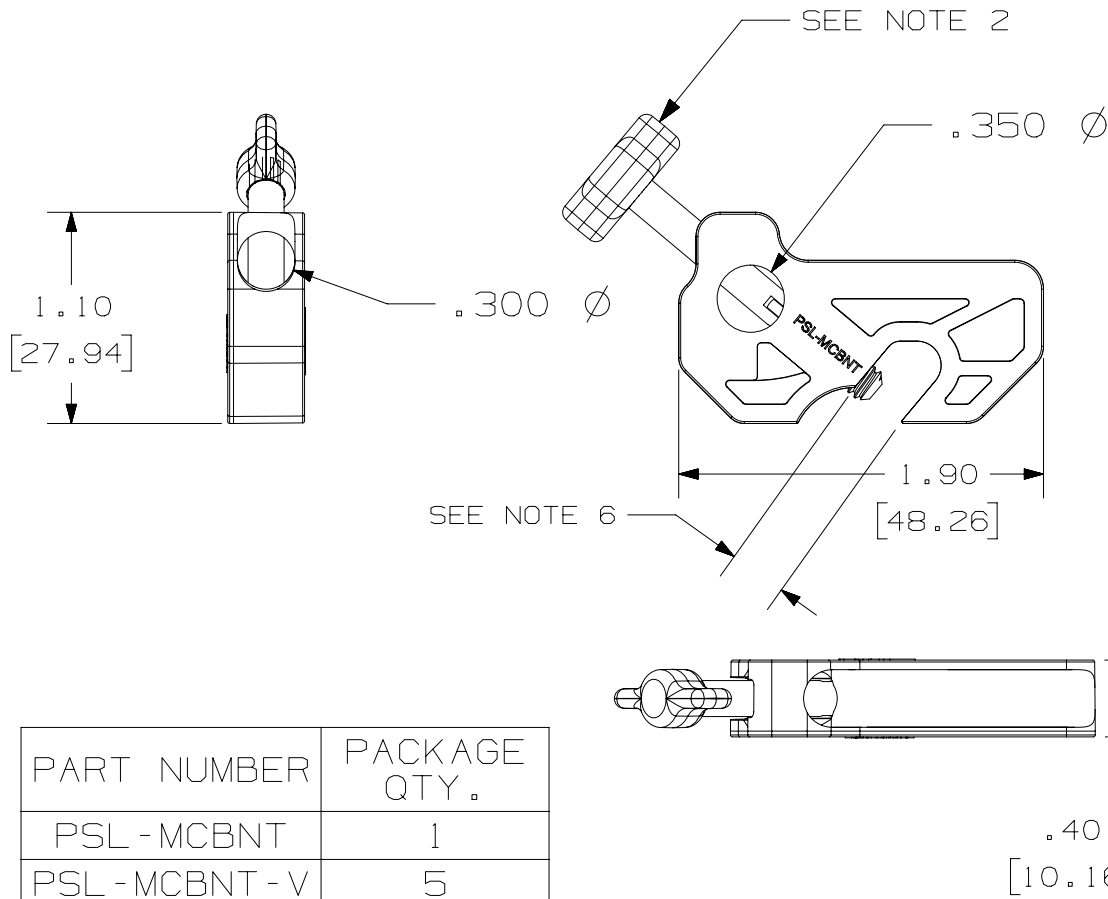


THIS COPY IS PROVIDED ON A RESTRICTED BASIS AND IS NOT TO BE USED IN ANY WAY DETRIMENTAL TO THE INTERESTS OF PANDUIT CORP.



NOTES:

1. [ ] DENOTE MILLIMETERS
2. TOGGLE SCREW CAP IS SAME MATERIAL AS DEVICE BODY. TOGGLE SCREW IS 303 STAINLESS STEEL
3. OPERATING TEMPERATURE -40°F (-40°C) TO 250°F (121°C)
4. EXCELLENT CHEMICAL RESISTANCE TO THE FOLLOWING;  
SULFURIC ACID, HYDROCHLORIC ACID, SODIUM HYDROXIDE, METHYL ETHYL KETON, ACETONE, 1,1,1 TRICHLOROETHANE, METHANOL, IPA, ASTM #3 OIL, SAE 20 OIL, ALCONOX, TOLUENE, MINERAL SPIRITS, GLACIAL ACETIC ACID, DIESEL FUEL, HEPTANE, CELLOSOLVE ACETATE, AMMONIA, TURPENTINE, KEROSENE, WATER, AND GASOLINE
5. FOR USE INDOOR AND OUTDOOR
6. MAX SWITCH HANDLE WIDTH: .295 [7.5]



PART NUMBER	PACKAGE QTY.
PSL - MCBNT	1
PSL - MCBNT - V	5

REV	DATE	BY	CHK	APR	DESCRIPTION	ECN
03	4/19/17	RVU	CLW	JHAC	MIS-SPELL WITH "FUEL" FROM NOTE 4, WAS FULE.	GAECN04099
02	6/14/13	JHAC	CLW	MSAD	ADDED TABLE AND BULK PART NUMBER TO TITLE.	GAECN00939
01	3/27/12	JHAC	CLW	MSAD	ADDED HOLE AND OPENING DIM.	6746
00	4/28/11	JHAC	CLW	MSAD	DRAWING RELEASE.	6374

TITLE		<b>PSL-MCBNT &amp; PSL-MCBNT-V NO-TOOL MINIATURE CIRCUIT BREAKER LOCKOUT</b>		
		CUSTOMER DRAWING		
ITEM REVISION NAME		100919AM/03		
DATASET FILE NAME		100919AM_DC_C10906/03D		
UNLESS OTHERWISE SPECIFIED, DIMENSIONAL TOLERANCES ARE: IN (mm)		<b>PANDUIT</b> MATERIAL: <b>RED 33% GLASS-FILLED NYLON</b>		
.x ± .1 [ 2.54 ]      .xxx ± .005 [ .127 ] .xx ± .01 [ .25 ]      ANGLES ± 5 °				
		THIRD ANGLE PROJECTION		
DRAWN BY	DATE	CHK	SCALE	DRAWING NUMBER:
JHAC	4/28/11	MSAD	1:1	C10906
				SHT 1 OF 1
				A