

# TMC 82C 03A - Thermomagnetic device circuit breaker

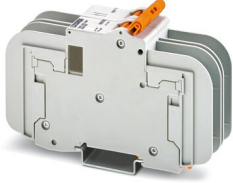


2907585

<https://www.phoenixcontact.com/in/products/2907585>

Please be informed that the data shown in this PDF document is generated from our online catalog. Please find the complete data in the user documentation. Our general terms of use for downloads are valid.

Thermomagnetic device circuit breaker, number of positions: 2, cross section: 1 mm<sup>2</sup>- 35 mm<sup>2</sup>, AWG: 18 - 2, mounting type: DIN rail: 35 mm



## Commercial data

Item number	2907585
Packing unit	6 pc
Minimum order quantity	6 pc
Sales key	*****
Product key	CLA125
GTIN	4055626215624
Weight per piece (including packing)	274.16 g
Weight per piece (excluding packing)	222.222 g
Customs tariff number	85362010
Country of origin	CN

# TMC 82C 03A - Thermomagnetic device circuit breaker



2907585

<https://www.phoenixcontact.com/in/products/2907585>

## Technical data

### Product properties

Type	DIN rail module, one-piece
Product type	Thermomagnetic device circuit breakers
Product family	TMC 8
Number of positions	2
Mechanical service life	20000

### Electrical properties

Service life electrical	6000
-------------------------	------

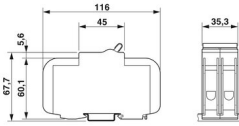
### General

Operating voltage	240 V AC (277/480Y, 240D)
	125 V DC (two poles in series)
Rated current $I_N$	3 A
Tripping method	TM (thermomagnetic)
Rated short-circuit switching capacity $I_{cn}$	10 kA (IC)
Fuse	C

### Connection data

Conductor cross section rigid	1 mm <sup>2</sup> ... 35 mm <sup>2</sup>
Cross section AWG	18 ... 2 (converted acc. to IEC)
Conductor cross section flexible	1 mm <sup>2</sup> ... 35 mm <sup>2</sup>
Connection method	Screw connection
Tightening torque, min	2 Nm
Conductor cross section flexible max.	35 mm <sup>2</sup>
Conductor cross section, rigid max.	35 mm <sup>2</sup>

### Dimensions

Dimensional drawing	
Width	35.3 mm
Height	116 mm
Depth	65.7 mm

### Environmental and real-life conditions

#### Ambient conditions

Ambient temperature (operation)	-35 °C ... 70 °C
Humidity test	48 h, 95% RH, 40°C (IEC 60068-2-78)
Shock (operation)	30g (11 ms) (IEC 60068-2-11)

# TMC 82C 03A - Thermomagnetic device circuit breaker



2907585

<https://www.phoenixcontact.com/in/products/2907585>

Vibration (operation)	±0.38 mm (10-57 Hz), 5g (57...500 Hz) (IEC 60068-2-6, Fc, sine)
-----------------------	---

## Standards and regulations

Standards/specifications	UL 489
	IEC 60947-2

## Mounting

Mounting type	DIN rail: 35 mm
---------------	-----------------

Phoenix Contact 2023 © - all rights reserved  
<https://www.phoenixcontact.com>

PHOENIX CONTACT (I) Pvt. Ltd.  
A-58/2, Okhla Industrial Area, Phase - II, New Delhi-110 020

+91.1275.71420  
[info@phoenixcontact.co.in](mailto:info@phoenixcontact.co.in)