

**EFFORTLESS LIGHTING CONTROL**



**6 SENSORS MAKE DOLLARS & SENSE!**

Our Standard Range 360° , 450 ft<sup>2</sup> coverage occupancy sensor which incorporates Passive Infrared (PIR) detection technology into an attractive line powered occupancy sensor that provides amazing sensitivity to small motions and excellent payback. This sensor is an economical solution for providing automatic lighting control where a wall switch replacement sensor is not applicable.



**Key Features**

- **Designed to work with LED/CFL technology**
- **Self-contained relay**
- **Preset time delay**
- **Auto ON/OFF Operation mode\***

\*The sensor detects changes in the infrared energy given off by occupants as they move within the field-of-view. When occupancy is detected, a self-contained relay switches the connected lighting load on. The sensor is line powered, and switches line voltage. A standard occupancy time delay is also present that ensures lights turn off (assuming minimum on timer has elapsed) if no occupancy is detected. This timer, factory set at 15 seconds, keeps the lights on during brief periods of inactivity. It is knob programmable from 15 seconds to 30 minutes, and is reset every time occupancy is re-detected.

**Application**

- Warehouse
- Boardroom
- Gymnasium
- Garage
- Office
- Manufacturing plant

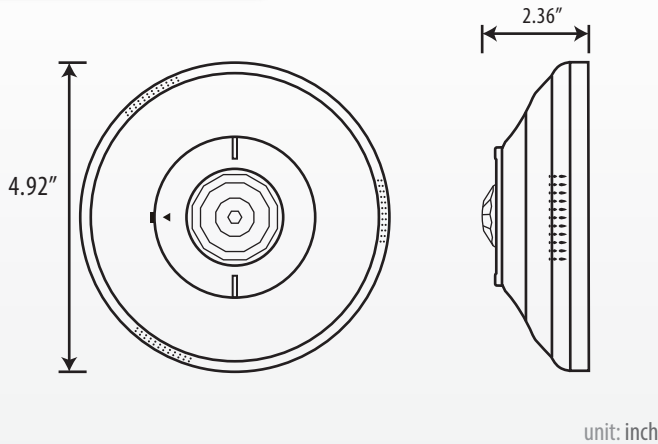
**Other information**

- Two (2) year limited warranty
- Easy retrofit
- cUL listed

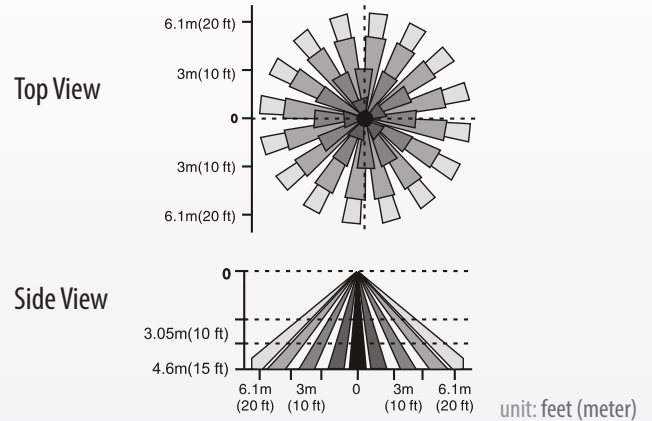
**Specifications**

	<b>TL-1032</b>
Technology	PIR
Occupancy/Vacancy	OCC
Coverage (Degrees Sq.Ft)	360° 450
Voltage	120/277 VAC
Frequency	50-60 Hz
Load Size	0-800W/0-1200W
Hot Required	Y
Neutral Required	Y
Ground Required	-
LED Indicator	-
ON/OFF Button	-
Adjustable Sensitivity	Y
Light Harvesting	Y
Operation Mode	OCC
Single Pole/2Pole/3-Way	Single Pole
Operating Temp.	0° to 55° C
Size	2.36" H x 4.92" W x 4.92" D
Weight	5.64 oz
Mounting Height	15 Ft

### Dimensions



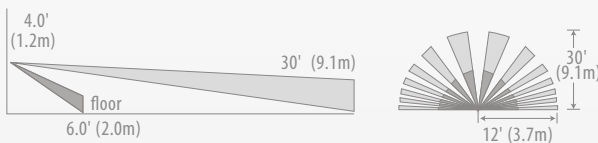
### Detection Patterns



### You might be interested in:

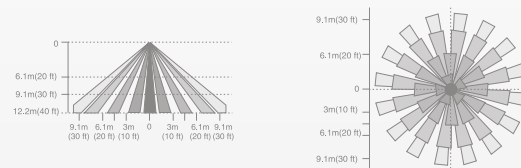
#### PIR WALL SWITCH OCCUPANCY SENSORS

Turolight's switch sensors are designed to replace a standard light or fan switch. This device can detect motion from a heat-emitting source (such as a person entering a room) within its field-of-views and automatically turn ON and OFF saving energy and reducing energy bills.



#### PIR HIGH BAY FIXTURE MOUNT OCCUPANCY SENSORS

Highly mountable High Bay 360° sensor provides Passive Infrared (PIR) occupancy detection over a 15-20 ft radial coverage pattern that overlaps the areas lit by a typical high bay fixture.



**Call now for more information!**

Turolight reserves the right to change specifications, modify designs and discontinue items without incurring obligation. Every effort is made to ensure that descriptions, specifications and other information in this data sheet are correct. No warranty is given in respect thereof and the company shall not be liable for any error therein.

© Turolight, Inc.®

This material is copyright. Except as permitted, no part of this work may be reproduced by any process without prior written permission of and acknowledgement to Turolight, Inc.

The identified trademarks and copyrights are the property of Turolight® unless otherwise noted.

You can find this data sheet and many others online in PDF format at:

[www.turolight.com](http://www.turolight.com)

**Distributed by:**