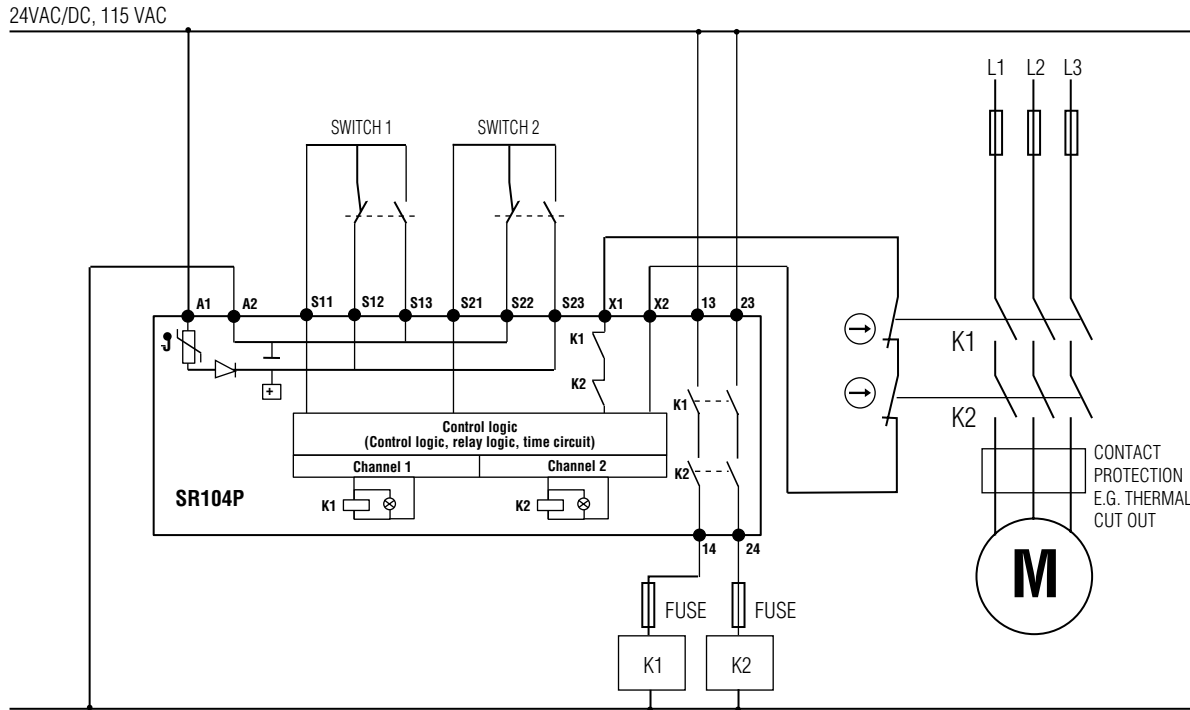


■ **Application**



The SR104P only allows machine operation if both buttons are operated at the same time. Operating one button or both buttons and then releasing one will not start the machine.

H
safety monitoring relays

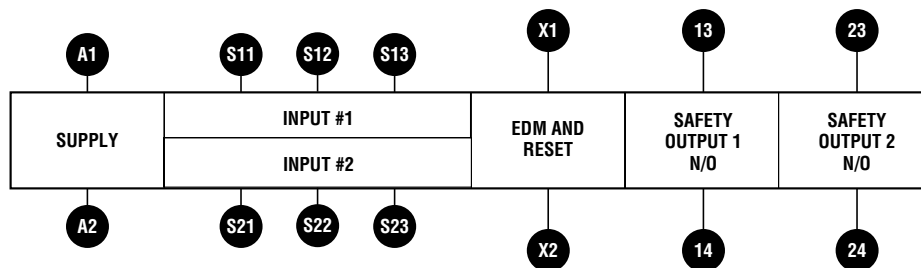
Output Contact Arrangements



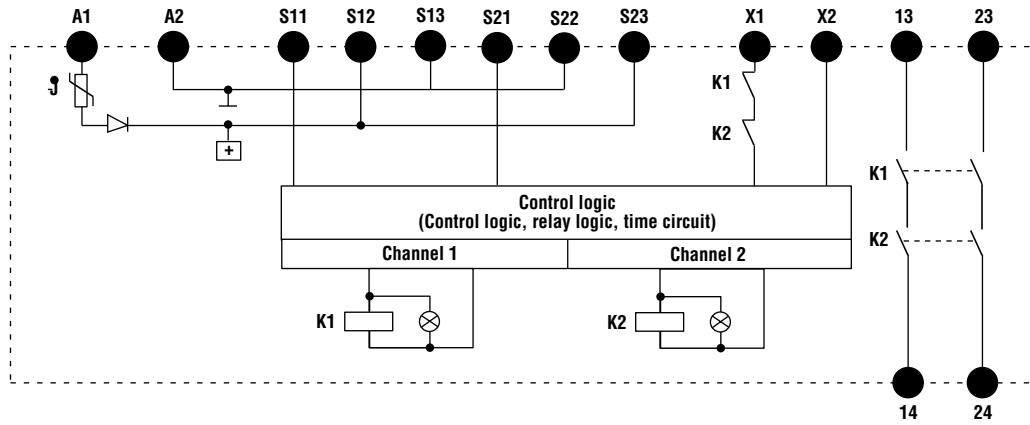
Terminal Pin Assignments

	⊗	⊗	S21		⊗	⊗	X1
	⊗	⊗	S22		⊗	⊗	X2
14	⊗	⊗	S23		⊗	⊗	13
24	⊗	⊗	A2		⊗	⊗	23

Terminal Connections

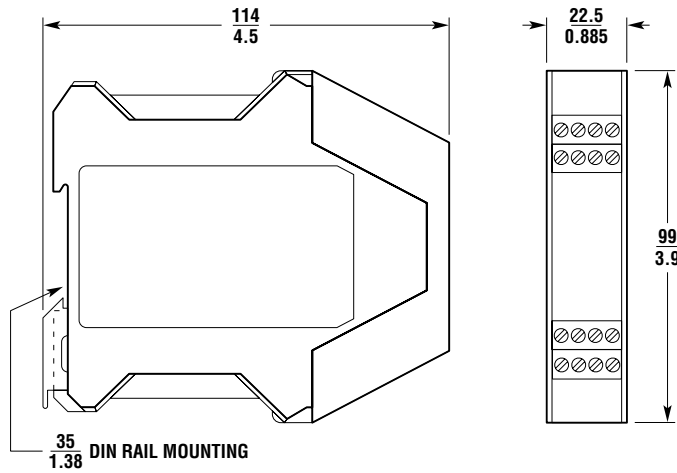


■ Block Diagram



■ Dimensions — mm/in.

SR104P



A Go to the Engineering Guide
For in-depth information on safety standards and use.

■ Specifications

Electrical	All Models	SR104P01	SR104P02
Power Supply:	±10%, 50-60 Hz	24 VAC/DC	115 VAC
Power Consumption AC:	Approx. 2.5 VA		
Power Consumption DC:	Approx. 1.5 W		
Safety Inputs:	2 x 2 pole (1 N/C + 1 N/O) hand switches		
Relay Outputs:	2 N/O		
Max Switched AC:	Inductive AC-15, 4 A/230 V		
Max Switched DC:	Inductive DC-13, 2 A/24 V		
Min Switched Current/Voltage:	20 mA/24 V		
Impulse Withstand Voltage:	2500 V		
Max Drop-Out Time:	35 ms (90 ms by removing supply voltage)		
Max Output Fuse:	6 A quick-acting or 4 A slow-acting		
Contactors Monitoring:	N/C loop between X1 and X2		
Mechanical			
Mounting:	35 mm (1.38 in.) DIN rail		
Case Material:	Fiber-filled Polyamid PA6.6		
Max Wire Size:	1 x 2.5 mm ² (14 AWG) stranded		
Weight:	200 g (7 oz.)		
Color:	Red		
External Switches:	None		
Indication:	Green = K1 Closed, Green = K2 Closed		
Mechanical Life:	1 x 10 ⁷ operations		
Environmental			
Enclosure Protection:	IP20 terminals, IP40 (NEMA 1) housing		
Operating Temperature:	24 VAC/DC: -15 to 60°C (5 to 140°F) 115 VAC: -15 to 40°C (5 to 104°F)		
Humidity:	93% RH at 40°C (104°F)		
Compliance			
Standards:	EN 60204-1, EN 574 Cat. IIIC, EN 954-1, VDE 0113-1		
Approvals/Listings:	CE marked for all applicable directives, BG, UL and C-UL		
Safety Category:	Cat. 4 per EN954-1 (SR104 internal operation)		

Specifications are subject to change without notice.

Note: The safety contacts of the STI switches are described as normally closed (N/C)—i.e., with the guard closed, actuator in place, and the machine able to be started.

■ Ordering

Model	Supply	Inputs	Outputs	Part No.
SR104P01	24 VAC/DC	2 x 2 pole (1 N/C + 1 N/O) hand switches	2 N/O	44510-1041
SR104P02	115 VAC	2 x 2 pole (1 N/C + 1 N/O) hand switches	2 N/O	44510-1042