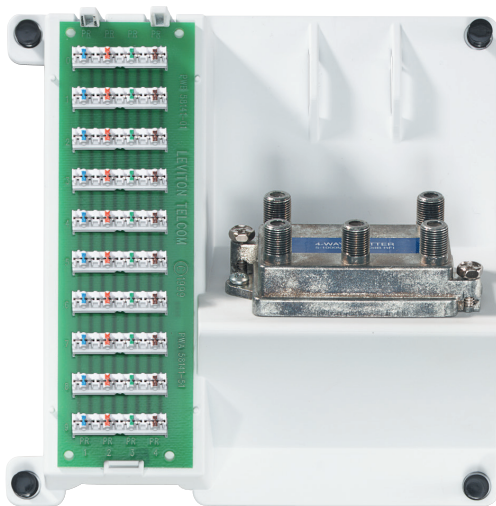


Compact Series Telephone and 4-Way Video Panel

APPLICATION

The Leviton Compact Series Telephone and 4-Way Video Panel combines a 1x9 Bridged Telephone Board and a 4-Way 1 GHz Video Splitter in a dedicated plastic bracket for essential telephone and video distribution. It handles up to four telephone lines through to nine telephone connections, and is suitable for phone, fax, or modem. The Telephone and 4-way Video Panel features video output for up to four video connections.



SPECIFICATION

The Leviton Compact Series Telephone and 4-Way Video Panel shall be cULus Listed, and ANSI/TIA-568-C.2 and ANSI/TIA-1096-A compliant. The panel shall handle up to four telephone lines through to nine telephone connections, making it suitable for phone, fax, or modem. The panel also features video output for up to four video connections. The panel shall include a plastic mounting bracket, 1x9 Bridged Telephone Board, and 4-Way 1 GHz Video Splitter. It shall fit into any Leviton Structured Media enclosure, or be used as a stand-alone unit.

FEATURES

- Handles up to four telephone lines through to nine locations, and routes video to four locations
- Panel includes a plastic mounting bracket, 1x9 Bridged Telephone Board and a 4-Way 1 GHz Video Splitter

DESIGN CONSIDERATIONS

- Fits easily into any Leviton Structured Media® enclosure, or can be used as a stand-alone unit
- Determine outlet locations and carefully plan cable routing to ensure the selected board satisfies requirements
- Install 75 Ohm termination caps on unused outputs of 4-way 1 GHz Video Splitter to reduce signal distortion or “ghosting”

STANDARDS COMPLIANCE

- cULus Listed
- ANSI/TIA-568-C.2
- ANSI/TIA-1096-A

PHYSICAL SPECIFICATIONS

Dimensions: See page two

Materials: **Bracket:** ABS plastic, white

1x9 Bridged Telephone Board: Printed circuit board with ten bridged 4-pair 110-Type IDC connectors

4-way 1 GHz Video Splitter: Die-cast housing and printed circuit board construction

COUNTRY OF ORIGIN

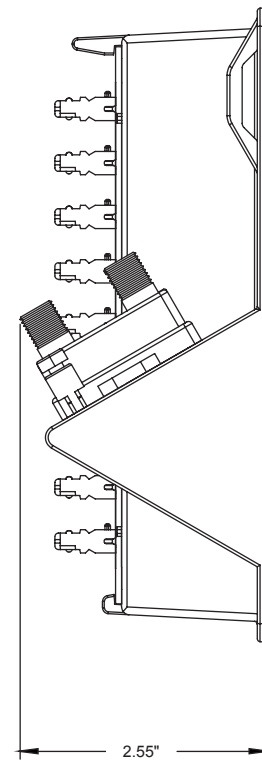
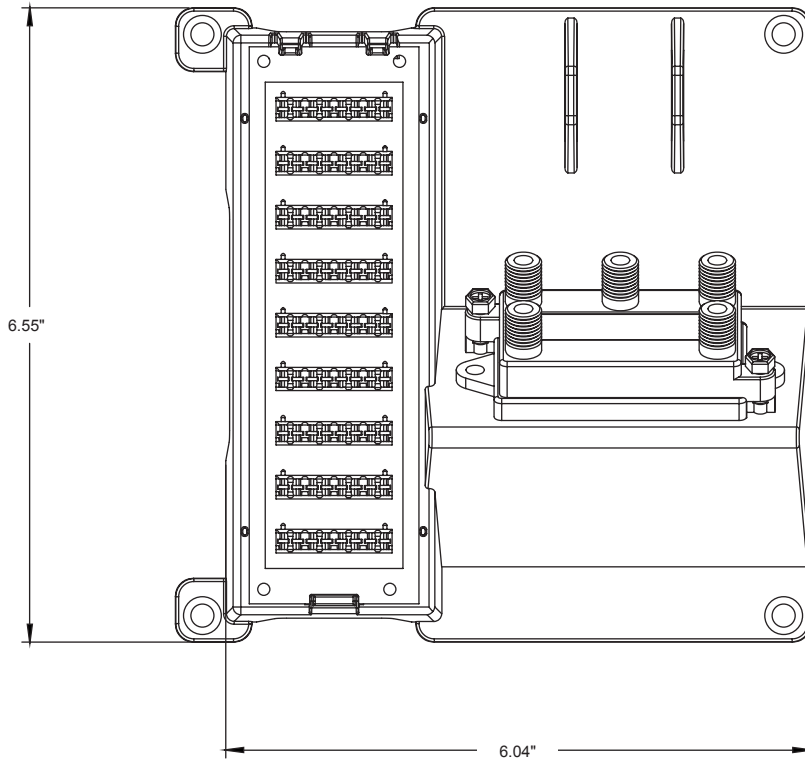
Mexico

WARRANTY INFORMATION

For a copy of Leviton product warranties, visit www.leviton.com/warranty.

ELECTRONIC FILES

For CAD files, typical specs, or technical drawings (.DXF, .DWG), visit www.leviton.com.



47603-1G4

PART NUMBERS

| Description | Part No. |
|--|-----------|
| Compact Series Telephone and 4-Way Video Panel | 47603-1G4 |



Leviton Network Solutions
2222 - 222nd St. SE
Bothell, WA 98021-4416

Asia / Pacific
T +1.631.812.6228
E infoasean@leviton.com

Canada
T +1.514.954.1840
E pcservice@leviton.com

Caribbean
T +1.954.593.1896
E infocaribbean@leviton.com

China
T +852.2774.9876
E infochina@leviton.com

Colombia
T +57.1.743.6045
E infocolombia@leviton.com

tel 1-800-824-3005
tel +1-425-486-2222
appeng@leviton.com
www.leviton.com

Europe
T +33.6.8869.1380
E infoeurope@leviton.com

India / SAARC
T +971.4.886.4722
E infoindia@leviton.com

Mexico
T +52.55.5082.1040
E lsamarketing@leviton.com

Middle East & Africa
T +971.4.886.4722
E lmeinfo@leviton.com

South Korea
T +82.2.3273.9963
E infokorea@leviton.com