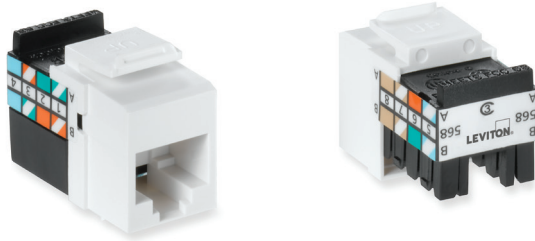


## Cat 3 UTP QuickPort® Connectors

### APPLICATION

Leviton Cat 3 UTP connectors support voice-grade applications. They are compatible with all QuickPort housings, Multimedia Outlet Systems (with QuickPort module adapter), patch panels, and patch blocks.



### SPECIFICATION

Cat 3 connectors shall be individual snap-in style, and shall provide compliance with ANSI/TIA-568-C specifications. Connectors shall comply with ANSI/TIA-1096-A; UL listed; and CSA Certified. All plastics used in construction of the connector bodies shall be fire retardant with a UL flammability rating of 94V-0. Termination of all connectors shall be 110-type (IDC) with solder-plated phosphor bronze contacts. The connector shall provide a ledge directly adjacent to the 110-style termination, against which the wires can be directly terminated and cut in one action by the installer. Connector wiring label shall provide installation color codes for both T568A and T568B wiring schemes.

### FEATURES

- Dual wiring code label allows connector to be wired to either T568A or T568B
- Exclusive cutting ledge combines termination and trim into one labor-saving step
- Individual port configurability allows specification flexibility
- Robust one-piece lead-frame design
- Narrow connector allows high port density in a small area

### DESIGN CONSIDERATIONS

- Designed for cable termination with a 110-type termination tool
- Detailed installation instructions are included in the standard pack
- All QuickPort connector performance grades have the same design and termination method to promote installation consistency

### STANDARDS COMPLIANCE

- UL listed
- CSA certified
- NEC® Article 800
- ANSI/TIA-568-C
- ANSI/TIA-1096-A
- RoHS 2 (Directive 2011/65/EU)

### PHYSICAL SPECIFICATIONS

Dimensions: See page two

Materials: Connector body is high-impact, fire-retardant plastic rated UL 94V-0. Connector 110 IDC contacts are solder-plated phosphor bronze.

### COUNTRY OF ORIGIN

USA

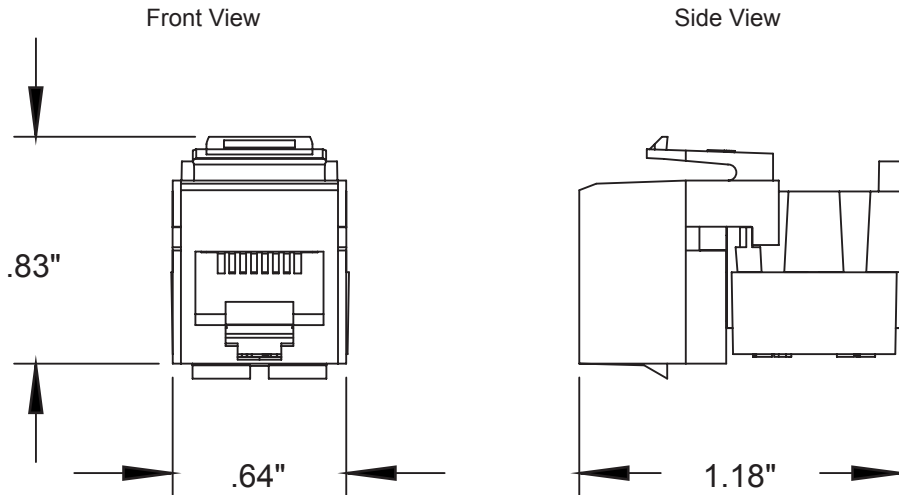
### WARRANTY INFORMATION

For a copy of Leviton product warranties, visit [www.leviton.com/warranty](http://www.leviton.com/warranty).

**ELECTRONIC FILES**

For CAD files, typical specs, or technical drawings (.DXF, .DWG), visit [www.leviton.com](http://www.leviton.com).

41108-Rx3



**PART NUMBERS**

Description	Part No.
Cat 3 UTP QuickPort® Connector	41108-Rx3

x = colors: Ivory (I), White (W), Grey (G), Black (E), Orange (O), Blue (L), Yellow (Y), Dark Red (R), Brown (B), Light Almond (T), Green (V), Purple (P), Crimson Red (C)



<b>Leviton Network Solutions</b> 2222 - 222nd St. SE Bothell, WA 98021-4416  tel 1-800-824-3005 tel +1-425-486-2222 appeng@leviton.com www.leviton.com	<b>Asia / Pacific</b> T +1.631.812.6228 E infoasean@leviton.com	<b>Canada</b> T +1.514.954.1840 E pcservice@leviton.com	<b>Caribbean</b> T +1.954.593.1896 E infocaribbean@leviton.com	<b>China</b> T +852.2774.9876 E infochina@leviton.com	<b>Colombia</b> T +57.1.743.6045 E infocolombia@leviton.com
	<b>Europe</b> T +33.6.8869.1380 E infoeurope@leviton.com	<b>India / SAARC</b> T +971.4.886.4722 E infoindia@leviton.com	<b>Mexico</b> T +52.55.5082.1040 E lsamarketing@leviton.com	<b>Middle East &amp; Africa</b> T +971.4.886.4722 E lmeinfo@leviton.com	<b>South Korea</b> T +82.2.3273.9963 E infokorea@leviton.com