

**Various encoder interfaces and high-speed multi-axis control by analog commands for precise machine operation**



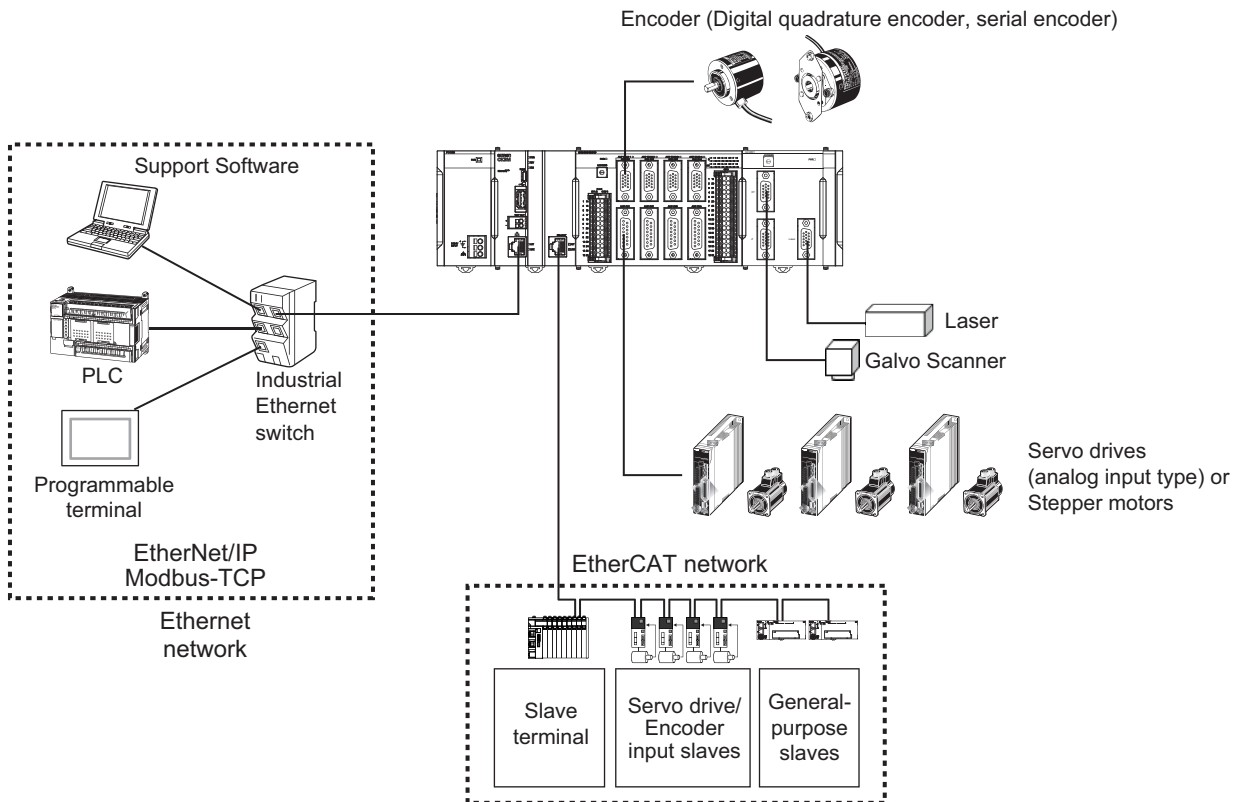
CK3W-AX□□□□□

## Features

- One CK3W-AX Unit controls up to four axes
- Analog input servo drives or DirectPWM servo drives can be connected
- Digital quadrature encoders, serial encoders, and sinusoidal encoders can be connected as encoder input
- 16 digital inputs and 16 digital outputs are built in

## System Configurations

### Basic System Configuration



\*1. You will need this unit when you use the Galvo Scanner.

### CK□W Unit Configuration (CPU Rack/Expansion Rack)

The following shows the configuration of CK□W Units.

#### CPU Rack

The CK3W Unit configuration in the CPU Rack consists of a Power Supply Unit, CPU Unit, CK3W-AX Unit, CK3W-MD Unit, CK3W-AD Unit, CK3WECS Unit, CK3W-GC Unit, and End Cover.

Up to four CK3W Units (or up to two CK3W-AX Units) can be connected to the CPU Unit.

#### Expansion Rack

Up to one Expansion Rack can be added for the CK3M CPU Unit, and up to three Expansion Racks can be added for the CK5M CPU Unit.

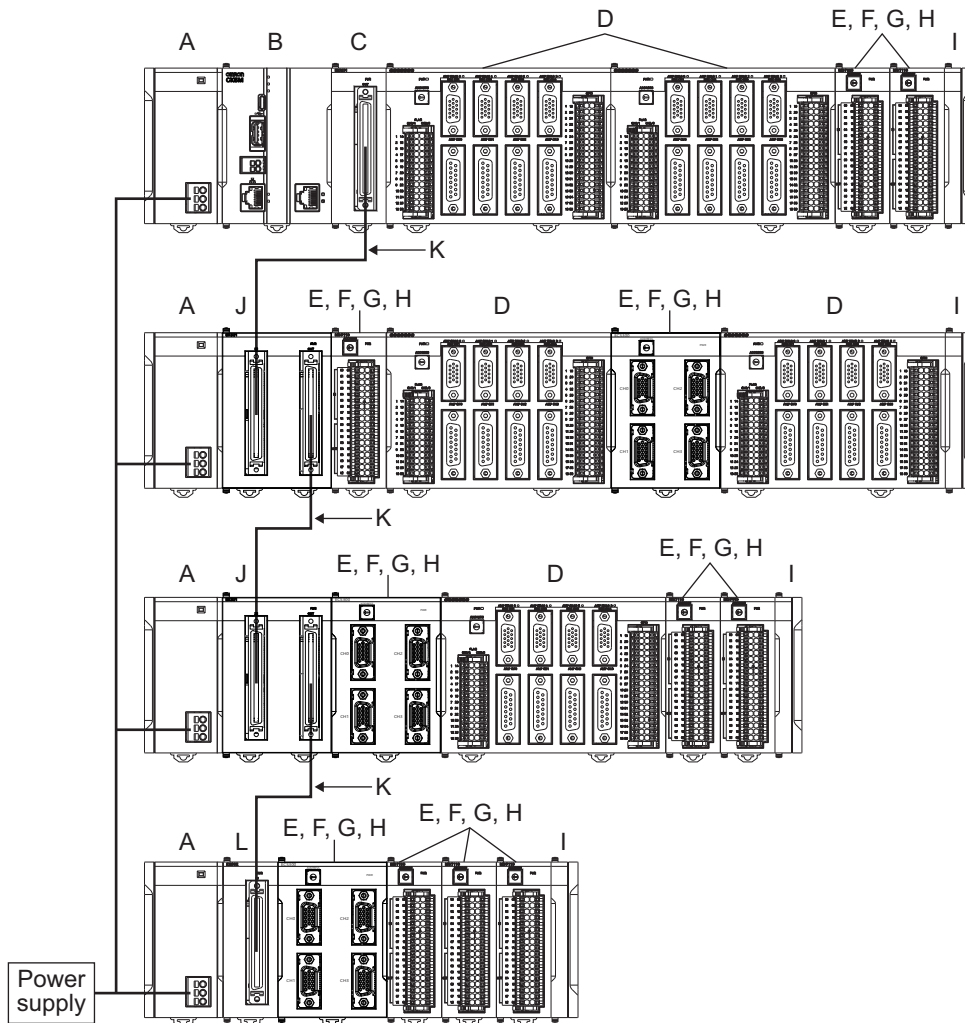
To connect an Expansion Rack, use the Expansion Master Unit (CK3W-EXM01) and Expansion Slave Unit (CK5W-EXS01, CK3W-EXS02). Up to four CK3W Units (or up to two CK3W-AX Units) can be installed to the Expansion Rack.

Connect the Expansion Master Unit (CK3W-EXM01) to the immediate right side of the CPU Unit. Connect the Expansion Slave Unit (CK5W-EXS01, CK3W-EXS02) to the immediate right side of the Power Supply Unit.

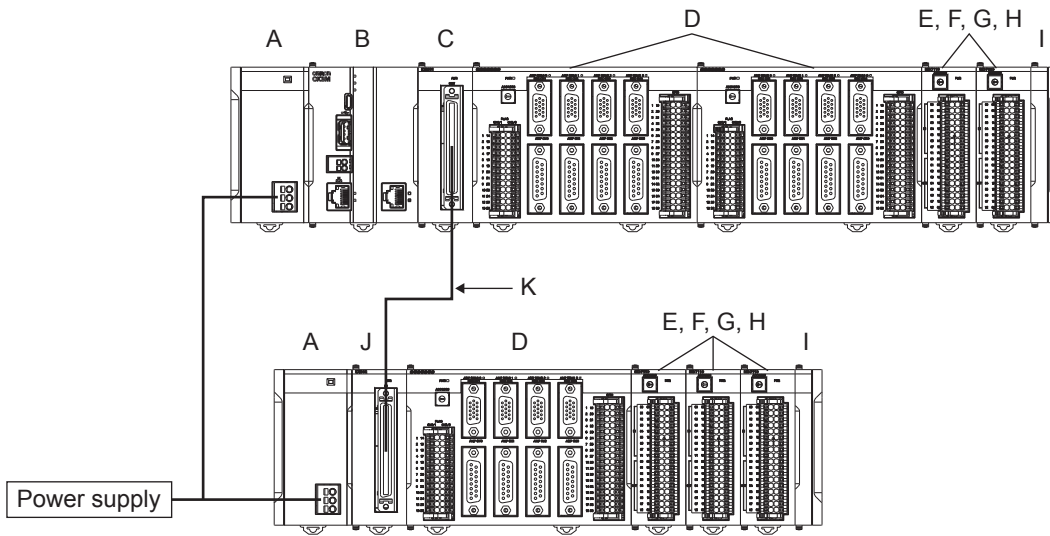
Unless the Expansion Master Unit (CK3W-EXM01) is connected adjacent to the right side of the CPU Unit, the Sys.Status register CK3WConfigErr becomes "5".

Use the CK3W-EXS02 for the Expansion Slave Unit farthest from the CPU Rack, and the CK5WEXS01 for the Expansion Slave Unit located in the middle. The CK5W-EXS01 can only be used with the CK5M CPU Unit. It can not be used with the CK3M CPU Unit.

For CK5M CPU Unit



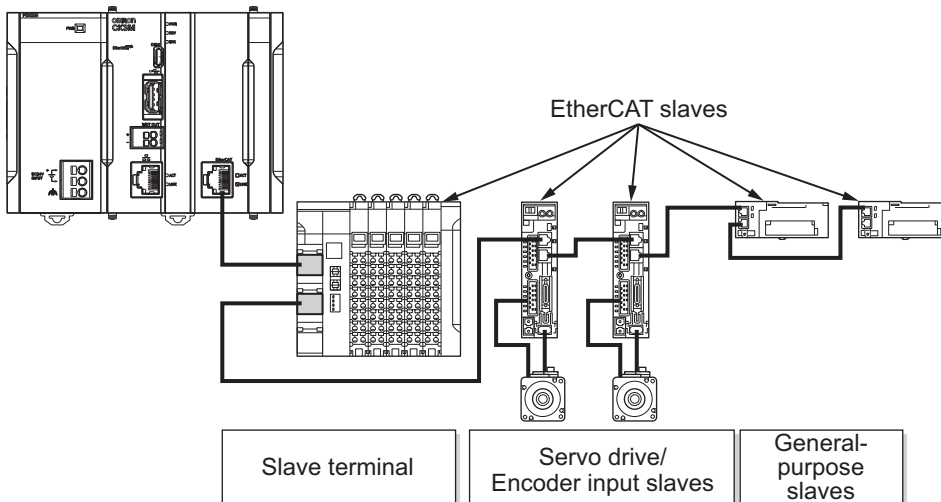
| Letter | Configuration        | Remarks  |
|--------|----------------------|--|
| A      | Power Supply Unit    | Input the 24 V power source. Always wire the CPU Rack and Expansion Rack to the same power supply.   |
| B      | CK5M-series CPU Unit | This is the Unit at the center of the motion control, which executes the motion program.   |
| C      | CK3W-EXM01           | Expansion Master Unit. Connect this Unit adjacent to the right side of the CPU Unit in the Expansion Rack.   |
| D      | CK3W-AX Unit         | Axis Interface Unit. For axis control, connect this to a Servo Drive and encoder.  |
| E      | CK3W-MD Unit         | Digital I/O Unit. You can add 16 digital inputs and 16 digital outputs.  |
| F      | CK3W-AD Unit         | Analog Input Unit. You can add 4 or 8 voltage inputs.  |
| G      | CK3W-ECS Unit        | Encoder Input Unit.<br>You can connect four channels of the serial encoder.  |
| H      | CK3W-GC Unit         | Laser Interface Unit.<br>You can connect the Galvo Scanner compatible with the interface of XY2-100 or SL2-100.  |
| I      | End Cover            | Must be connected to the right end of the CPU Rack and Expansion Rack. The CPU Unit and the Expansion Slave Unit are each provided with one End Cover.   |
| J      | CK5W-EXS01           | Expansion Slave Unit. Use this in the Expansion Rack located in the middle. Connect this Unit to the immediate right side of the Power Supply Unit.<br>This unit can only be used with the CK5M CPU Unit. It can not be used with the CK3M CPU Unit. |
| K      | Expansion cable      | Use this cable to connect the Expansion Master Unit and Expansion Slave Unit.<br>The cable length is 30 cm. Be sure to use the CK3W-CAX03A (30 cm) cable.  |
| L      | CK3W-EXS02           | Expansion Slave Unit.<br>Use this for the Expansion Rack farthest from the CPU Rack.<br>Connect this Unit to the immediate right side of the Power Supply Unit.  |

**For CK3M CPU Unit**


| Letter | Configuration        | Remarks   |
|--------|----------------------|---|
| A      | Power Supply Unit    | Input the 24 V power source. Always wire the CPU Rack and Expansion Rack to the same power supply.  |
| B      | CK3M-series CPU Unit | This is the Unit at the center of the motion control, which executes the motion program.  |
| C      | CK3W-EXM01           | Expansion Master Unit. Connect this Unit adjacent to the right side of the CPU Unit in the Expansion Rack.  |
| D      | CK3W-AX Unit         | Axis Interface Unit. For axis control, connect this to a Servo Drive and encoder.   |
| E      | CK3W-MD Unit         | Digital I/O Unit. You can add 16 digital inputs and 16 digital outputs.   |
| F      | CK3W-AD Unit         | Analog Input Unit. You can add 4 or 8 voltage inputs.   |
| G      | CK3W-ECS Unit        | Encoder Input Unit. You can connect four channels of the serial encoder.  |
| H      | CK3W-GC Unit         | Laser Interface Unit. You can connect the Galvo Scanner compatible with the interface of XY2-100 or SL2-100.  |
| I      | End Cover            | Must be connected to the right end of the CPU Rack and Expansion Rack. The CPU Unit and the Expansion Slave Unit are each provided with one End Cover.      |
| J      | CK3W-EXS02           | Expansion Slave Unit. Use this in the Expansion Rack. Connect this Unit adjacent to the right side of the Power Supply Unit.                                |
| K      | Expansion cable      | Use this cable to connect the Expansion Master Unit and the Expansion Slave Unit. The cable length is 30 cm. Be sure to use the CK3W-CAX003A (30 cm) cable. |

## EtherCAT Network Configuration

The EtherCAT network configuration consists of a Power Supply Unit, CPU Unit, End Cover, and EtherCAT slaves. Use the built-in EtherCAT port on the CK□M-series CPU Unit to connect EtherCAT slaves.



EtherCAT is synchronized with the servo cycle of the CK□M-series CPU Unit. This enables acquisition of the I/O data of slave terminals that are synchronized with the servo cycle.

Refer to the *CK3M/CK5M-series Programmable Multi-Axis Controller User's Manual Hardware* (Cat.No.O036) for information on using the NX-series EtherCAT Coupler Unit.

## Ordering Information

### Axial Interface Unit

The models and outline of specifications are given below.

| Product name         | Amplifier interface      | Encoder interface                         | Output type | Model        |
|----------------------|--------------------------|---|-------------|--------------|
| Axial Interface Unit | DirectPWM output         | Digital quadrature encoder/serial encoder | NPN type    | CK3W-AX1313N |
|                      | DA output (Filtered PWM) |   |             | CK3W-AX1414N |
|                      | DA output (True DAC)     |   |             | CK3W-AX1515N |
|                      | DirectPWM output         | Sinusoidal encoder/serial encoder         |             | CK3W-AX2323N |
|                      | DirectPWM output         | Digital quadrature encoder/serial encoder | PNP type    | CK3W-AX1313P |
|                      | DA output (Filtered PWM) |   |             | CK3W-AX1414P |
|                      | DA output (True DAC)     |   |             | CK3W-AX1515P |
|                      | DirectPWM output         | Sinusoidal encoder/serial encoder         |             | CK3W-AX2323P |

### Dedicated Cable for Wiring to Encoder Connector

| Type   | Cable length | Model         |
|--|--------------|---------------|
| For digital quadrature encoder   | 3 m          | CK3W-CAED03A  |
| For sinusoidal encoder   | 3 m          | CK3W-CAEA03A  |
| For serial encoder   | 3 m          | CK3W-CAES03A  |
| For "digital quadrature encoder + UVW signal" or "digital quadrature encoder + serial encoder" | 3 m          | CK3W-CAEW03A  |
| For "sinusoidal encoder + UVW signal" or "sinusoidal encoder + serial encoder"                 | 3 m          | CK3W-CAEAW03A |

**Note:** The encoder connection side has discrete wires. Wire in accordance with the encoder specifications.

### Dedicated Cable for Wiring to Amplifier Connector

| Type                         | Cable length | Model         |
|------------------------------|--------------|---------------|
| For FilteredPWM/TrueDAC type | 3 m          | CK3W-CAA03A   |
| For DirectPWM type           | 0.9 m        | CK3W-CAAD009A |
|                              | 1.8 m        | CK3W-CAAD018A |
|                              | 3.6 m        | CK3W-CAAD036A |

**Note:** The amplifier connection side of the CK3W-CAA03A Cable has discrete wires. Wire in accordance with the servo drive specifications.

## General Specifications

This section describes the Motion Controller specifications.

| Item                         |                                      | Specification  |
|------------------------------|--------------------------------------|--|
| <b>Enclosure</b>             |                                      | Mounted in a panel   |
| <b>Grounding Method</b>      |                                      | Ground to less than 100 Ω.   |
| <b>Operating Environment</b> | <b>Ambient Operating Temperature</b> | 0 to 55°C  |
|                              | <b>Ambient Operating Humidity</b>    | 10% to 95% (with no condensation or icing)   |
|                              | <b>Atmosphere</b>                    | Must be free of corrosive gases.   |
|                              | <b>Ambient Storage Temperature</b>   | -25 to 70°C (with no condensation or icing)  |
|                              | <b>Vibration Resistance</b>          | Conforms to IEC 60068-2-6.<br>5 to 8.4 Hz with 3.5-mm amplitude,<br>8.4 to 150 Hz, acceleration of 9.8 m/s <sup>2</sup><br>100 min each in X, Y, and Z directions (10 sweeps of 10 min each = 100 min total) |
|                              | <b>Shock Resistance</b>              | Conforms to IEC 60068-2-27.<br>147 m/s <sup>2</sup> , 3 times each in X, Y, and Z directions   |
| <b>Insulation Resistance</b> |                                      | 20 MΩ min. between isolated circuits (at 100 VDC)  |
| <b>Dielectric Strength</b>   |                                      | 510 VAC between isolated circuits for 1 minute with a leakage current of 5 mA max.   |
| <b>Applicable Standards</b>  |                                      | cULus, EU: EN 61326, RCM, KC, EAC *1   |

\*1. The CK5M CPU Unit and CK5W-EXS01 are not EAC-compliant products.

## Axis Interface Unit Specifications

The main specifications for axis interface are given below.

### CK3W-AX1414□/-AX1515□

| Item                                | Specification (CK3W-)  |   |  |         |
|-------------------------------------|--|---|--|---------|
|                                     | AX1414N  | AX1414P   | AX1515N                                  | AX1515P |
| Address setting range               | 0 to F   |   |  |         |
| Number of channels                  | 4 channels/Unit  |   |  |         |
| Encoder power supply output         | 5 VDC 500 mA/channel or less<br>However, the total output current of each Unit is 1 A or less. |   |  |         |
| Digital quadrature encoder input    | Input form   | Line receiver input   |  |         |
|                                     | Maximum response frequency   | Phases A, B, and C: 10 MHz  |  |         |
| Serial encoder input                | Supported protocol   | Contact your OMRON representative for information on the support protocols.                   |  |         |
| Digital Hall sensor                 | 4 points/channel (U, V, W, T)  |   |  |         |
| OUTFlagB output                     | 1 point/channel  |   |  |         |
| Analog output                       | Method   | FilteredPWM type  | TrueDAC type                             |         |
|                                     | Number of points   | 1 point/channel   | 2 points/channel                         |         |
|                                     | Output range   | Between DACA+/DACB+ and DACA-/DACB-: -20 to 20 V<br>Between DACA+/DACB+ and AGND: -10 to 10 V |  |         |
| Pulse output                        | Output form  | Line driver output  |  |         |
|                                     | Output method  | Pulse output + directional output, or phase difference output                                 |  |         |
|                                     | Maximum output frequency   | 10 MHz  |  |         |
| Amp enable output                   | 1 point/channel  |   |  |         |
| Fault input                         | 1 point/channel  |   |  |         |
| Flags                               | Digital input  | 4 points/channel (HOME, PLIM, NLIM, USER)   |  |         |
|                                     | Digital output   | 1 point/channel (EQU)   |  |         |
| General digital I/O                 | Number of points   | 16 inputs, 16 outputs   |  |         |
|                                     | Internal common  | NPN   | PNP                                      | NPN     |
| Power consumption                   | 5 VDC: 4.5 W max.<br>24 VDC: 10.8 W max.   |   | 5 VDC: 4.5 W max.<br>24 VDC: 12.5 W max. |         |
| Dimensions (height × depth × width) | 90(H)/80(D)/130(W)   |   |  |         |
| Weight                              | 520 g max.   |   |  |         |

### CK3W-AX1313□/-AX2323□

| Item                             | Specification (CK3W-)  |   |         |         |
|----------------------------------|--|---|---------|---------|
|                                  | AX1313N  | AX1313P   | AX2323N | AX2323P |
| Address setting range            | 0 to F   |   |         |         |
| Number of channels               | 4 channels/Unit  |   |         |         |
| Encoder power supply output      | 5 VDC 500 mA/channel or less<br>However, the total output current of each Unit is 1 A or less. |   |         |         |
| Digital quadrature encoder input | Input form   | Line receiver input   |         | ---     |
|                                  | Maximum response frequency   | Phases A, B, and C: 10 MHz  |         |         |
| Serial encoder input             | Supported protocol   | Contact your OMRON representative for information on the support protocols. |         |         |

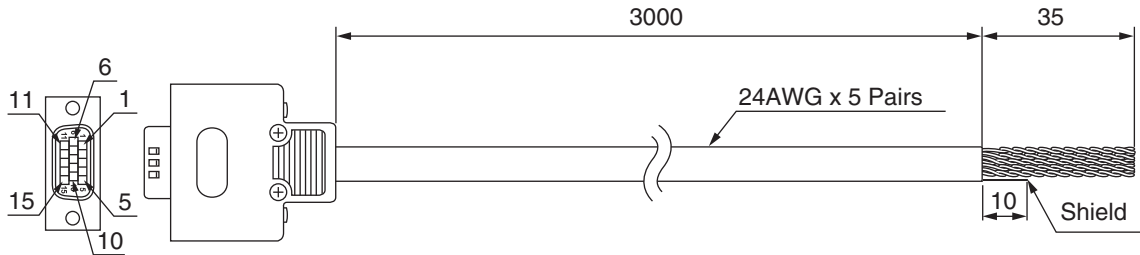
| Item                                |                         | Specification (CK3W-)                     |         |  |            |
|-------------------------------------|-------------------------|---|---------|--|------------|
|                                     |                         | AX1313N                                   | AX1313P | AX2323N                                  | AX2323P    |
| Sinusoidal encoder input            | Input signal            | ---                                       |         | 1-Vpp SIN/COS signal                     |            |
|                                     | Maximum input frequency | ---                                       |         | 2 MHz                                    |            |
| Digital Hall sensor                 |                         | 4 points/channel (U, V, W, T)             |         |  |            |
| DirectPWM output                    |                         | Amplifier interface unique to Delta Tau   |         |  |            |
| Amp enable output                   |                         | 1 point/channel (built into DirectPWM)    |         |  |            |
| Fault input                         |                         | 1 point/channel (built into DirectPWM)    |         |  |            |
| Flags                               | Digital input           | 4 points/channel (HOME, PLIM, NLIM, USER) |         |  |            |
|                                     | Digital output          | 1 point/channel (EQU)                     |         |  |            |
| General digital I/O                 | Number of points        | 16 inputs, 16 outputs                     |         |  |            |
|                                     | Internal common         | NPN                                       | PNP     | NPN                                      | PNP        |
| Power consumption                   |                         | 5 VDC: 3.4 W max.<br>24 VDC: 12.5 W max.  |         | 5 VDC: 3.0 W max.<br>24 VDC: 13.1 W max. |            |
| Dimensions (height × depth × width) |                         | 90(H)/80(D)/130(W)                        |         |  |            |
| Weight                              |                         | 480 g max.                                |         |  | 490 g max. |



## Dedicated Cable for Wiring to Encoder Connector

The dedicated cables for wiring to the encoder connector are provided as an option.  
The encoder connection side has discrete wires. Wire in accordance with the encoder specifications.

### For digital quadrature encoder CK3W-CAED03A



| Type   | Pin No.  | Cable color | Mark  | Signal                            |
|--------|----------|-------------|-------|-----------------------------------|
| Pair 1 | 11       | Blue        | Black | Encoder Power Supply (+5 VDC)     |
|        | 13       | Blue        | Red   | Encoder Power Supply (GND)        |
| Pair 2 | 1, 5 *1  | Pink        | Black | Encoder A+<br>Serial Encoder DAT+ |
|        | 6, 10 *1 | Pink        | Red   | Encoder A-<br>Serial Encoder DAT- |
| Pair 3 | 2        | Green       | Black | Encoder B+                        |
|        | 7        | Green       | Red   | Encoder B-                        |
| Pair 4 | 3        | Orange      | Black | Encoder C+                        |
|        | 8        | Orange      | Red   | Encoder C-                        |
| Pair 5 | 15       | Gray        | Black | OutFlagB                          |
|        | 14       | Gray        | Red   | GND                               |

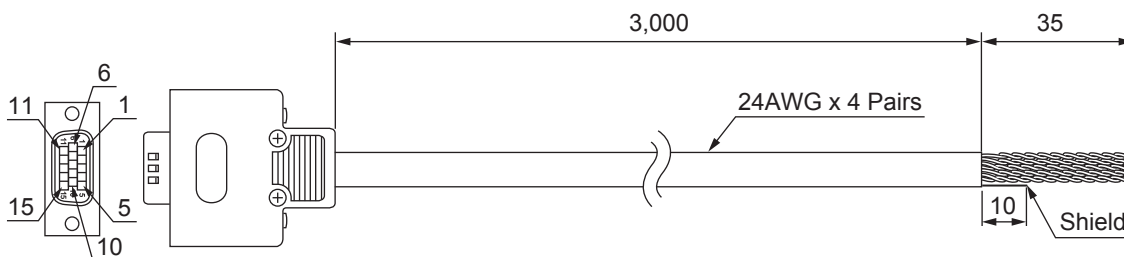
\*1. In order to make a connection with the OMRON G5-series Servo Drive R88D-KT□□□□, Pin 1 and Pin 5, and Pin 6 and Pin 10 are short-circuited inside the connector.

You can also connect a normal digital quadrature encoder which does not use serial encoder DAT by disabling the serial encoder.

**Note:** The cable shield is connected to the connector shell of the encoder connector.

When using this cable, set to *OutFlagD* = 1, and disable the serial encoder DAT terminating resistance.

### For Sinusoidal Encoder

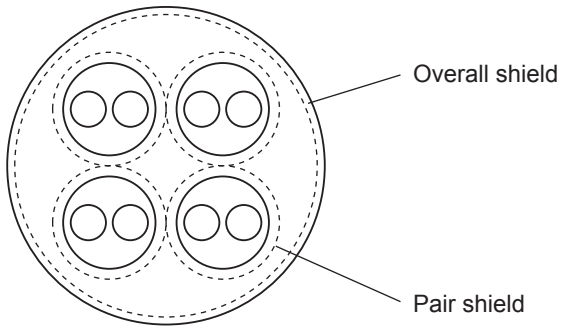


| Type   | Pin No. | Cable color | Signal                        |
|--------|---------|-------------|-------------------------------|
| Pair 1 | 11      | Black       | Encoder Power Supply (+5 VDC) |
|        | 13      | Blue        | Encoder Power Supply (GND)    |
| Pair 2 | 1       | Black       | SIN+                          |
|        | 6       | Red         | SIN-                          |
| Pair 3 | 2       | Black       | COS+                          |
|        | 7       | White       | COS-                          |
| Pair 4 | 3       | Black       | INDEX+                        |
|        | 8       | Green       | INDEX-                        |

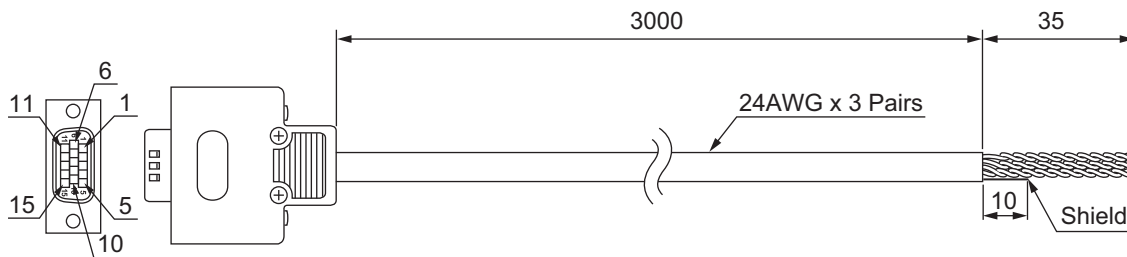
**Note:** The cable shield consists of an overall shield and pair shields.

The overall shield is connected to the connector shell of the encoder connector.

The pair shields are connected to the Encoder Power Supply (GND) pin.



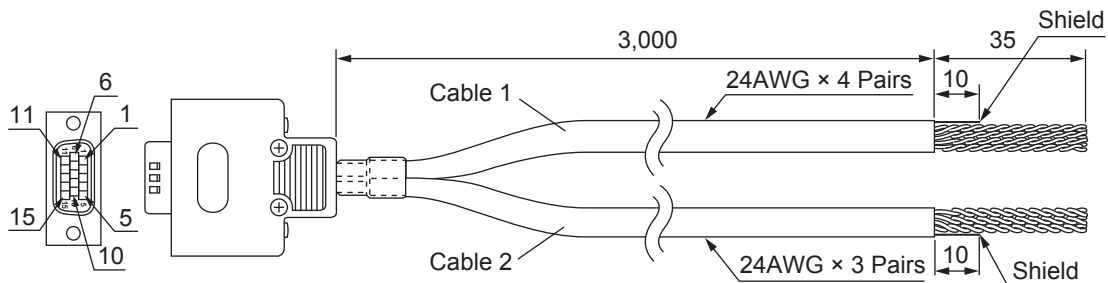
### For Serial Encoder



| Type   | Pin No. | Cable color | Mark  | Signal                        |
|--------|---------|-------------|-------|-------------------------------|
| Pair 1 | 12      | Blue        | Black | Encoder Power Supply (+5 VDC) |
|        | 14      | Blue        | Red   | Encoder Power Supply (GND)    |
| Pair 2 | 4       | Pink        | Black | Encoder CLK+                  |
|        | 9       | Pink        | Red   | Encoder CLK-                  |
| Pair 3 | 5       | Green       | Black | Serial Encoder DAT+           |
|        | 10      | Green       | Red   | Serial Encoder DAT-           |

**Note:** The cable shield is connected to the connector shell of the encoder connector.

### For “Digital Quadrature Encoder + UVW Signal” or “Digital Quadrature Encoder + Serial Encoder”



#### Cable 1

| Type   | Pin No. | Cable color | Mark  | Signal                        |
|--------|---------|-------------|-------|-------------------------------|
| Pair 1 | 11      | Blue        | Black | Encoder Power Supply (+5 VDC) |
|        | 13      | Blue        | Red   | Encoder Power Supply (GND)    |
| Pair 2 | 1       | Pink        | Black | Encoder A+                    |
|        | 6       | Pink        | Red   | Encoder A-                    |
| Pair 3 | 2       | Green       | Black | Encoder B+                    |
|        | 7       | Green       | Red   | Encoder B-                    |
| Pair 4 | 3       | Orange      | Black | Encoder C+                    |
|        | 8       | Orange      | Red   | Encoder C-                    |

**Note:** The cable shield is connected to the connector shell of the encoder connector.

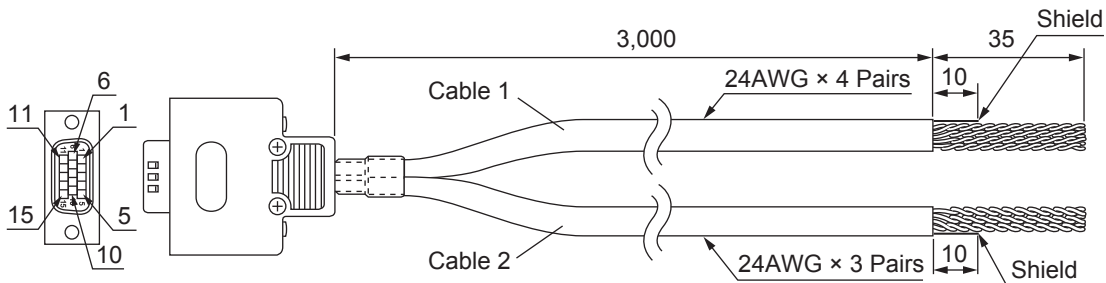
#### Cable 2

| Type   | Pin No. | Cable color | Mark  | Signal                        |                     |
|--------|---------|-------------|-------|-------------------------------|---------------------|
|        |         |             |       | U, V, W                       | Serial Encoder      |
| Pair 1 | 12      | Blue        | Black | Encoder Power Supply (+5 VDC) |                     |
|        | 14      | Blue        | Red   | Encoder Power Supply (GND)    |                     |
| Pair 2 | 4       | Pink        | Black | Hall sensor U                 | Serial Encoder CLK+ |
|        | 9       | Pink        | Red   | Hall sensor V                 | Serial Encoder CLK- |

| Type   | Pin No. | Cable color | Mark  | Signal        |                     |
|--------|---------|-------------|-------|---------------|---------------------|
|        |         |             |       | U, V, W       | Serial Encoder      |
| Pair 3 | 5       | Green       | Black | Hall sensor W | Serial Encoder DAT+ |
|        | 10      | Green       | Red   | Hall sensor T | Serial Encoder DAT- |

**Note:** The cable shield is connected to the connector shell of the encoder connector.

### For “Sinusoidal Encoder + UVW Signal” or “Sinusoidal Encoder + Serial Encoder”



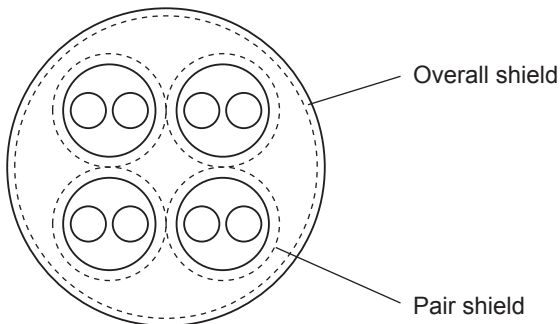
#### Cable 1

| Type   | Pin No. | Cable color | Signal                        |
|--------|---------|-------------|-------------------------------|
| Pair 1 | 11      | Black       | Encoder Power Supply (+5 VDC) |
|        | 13      | Blue        | Encoder Power Supply (GND)    |
| Pair 2 | 1       | Black       | SIN+                          |
|        | 6       | Red         | SIN-                          |
| Pair 3 | 2       | Black       | COS+                          |
|        | 7       | White       | COS-                          |
| Pair 4 | 3       | Black       | INDEX+                        |
|        | 8       | Green       | INDEX-                        |

**Note:** The cable shield consists of an overall shield and pair shields.

The overall shield is connected to the connector shell of the encoder connector.

The pair shields are connected to the Encoder Power Supply (GND) pin.



#### Cable 2

| Type   | Pin No. | Cable color | Signal                        |                     |
|--------|---------|-------------|-------------------------------|---------------------|
|        |         |             | U, V, W                       | Serial Encoder      |
| Pair 1 | 12      | Blue        | Encoder Power Supply (+5 VDC) |                     |
|        | 14      | White       | Encoder Power Supply (GND)    |                     |
| Pair 2 | 4       | Black       | Hall sensor U                 | Serial Encoder CLK+ |
|        | 9       | Green       | Hall sensor V                 | Serial Encoder CLK- |
| Pair 3 | 5       | Yellow      | Hall sensor W                 | Serial Encoder DAT+ |
|        | 10      | Brown       | Hall sensor T                 | Serial Encoder DAT- |

**Note:** The cable shield is connected to the connector shell of the encoder connector.

## Dedicated Cable for Wiring to Amplifier Connector

### For FilteredPWM/TrueDAC type

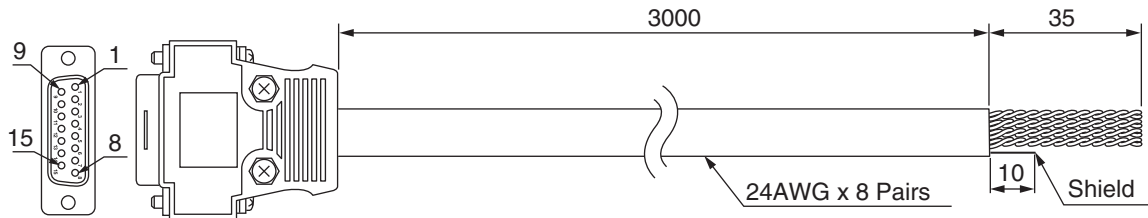
This section describes the cable used for the CK3W-AX1414□/-AX1515□ Units.

The dedicated cable for wiring to the FilteredPWM/TrueDAC type amplifier connector is provided as an option.

The amplifier connection side has discrete wires. Wire in accordance with the Servo Drive specifications.

The cable model is as shown below.

| Type                         | Model       | Length |
|------------------------------|-------------|--------|
| For FilteredPWM/TrueDAC type | CK3W-CAA03A | 3 m    |



| Type   | Pin No. | Cable color | Mark        | Signal               |
|--------|---------|-------------|-------------|----------------------|
| Pair 1 | 1       | Blue        | Black 1 dot | Analog output A+     |
|        | 9       | Blue        | Red 1 dot   | Analog output A-     |
| Pair 2 | 2       | Pink        | Black 1 dot | Analog output B+     |
|        | 10      | Pink        | Red 1 dot   | Analog output B-     |
| Pair 3 | 3       | Green       | Black 1 dot | Analog GND           |
|        | 3       | Green       | Red 1 dot   | Analog GND           |
| Pair 4 | 5       | Orange      | Black 1 dot | Pulse output +       |
|        | 12      | Orange      | Red 1 dot   | Pulse output -       |
| Pair 5 | 6       | Gray        | Black 1 dot | Directional output + |
|        | 13      | Gray        | Red 1 dot   | Directional output - |
| Pair 6 | 4       | Blue        | Black 2 dot | Fault input +        |
|        | 11      | Blue        | Red 2 dot   | Fault input -        |
| Pair 7 | 7       | Pink        | Black 2 dot | Amp enable NO        |
|        | 15      | Pink        | Red 2 dot   | Amp enable common    |
| Pair 8 | 8       | Green       | Black 2 dot | Amp enable NC        |
|        | 15      | Green       | Red 2 dot   | Amp enable common    |

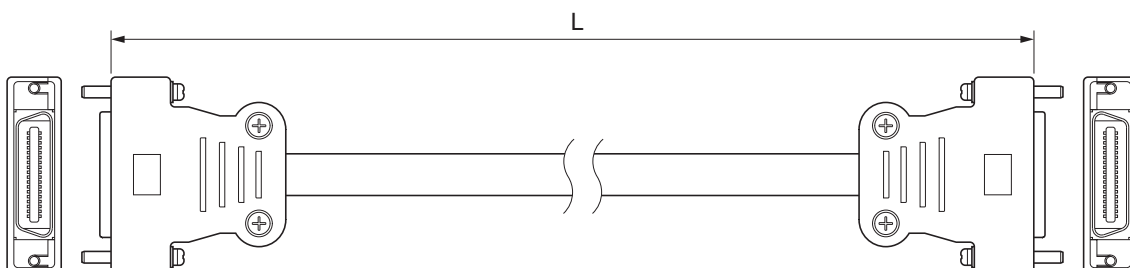
**Note:** The cable shield is connected to the connector shell of the amplifier connector.

### For DirectPWM type

This section describes cables used for the CK3W-AX1313□/-AX2323□ Units.

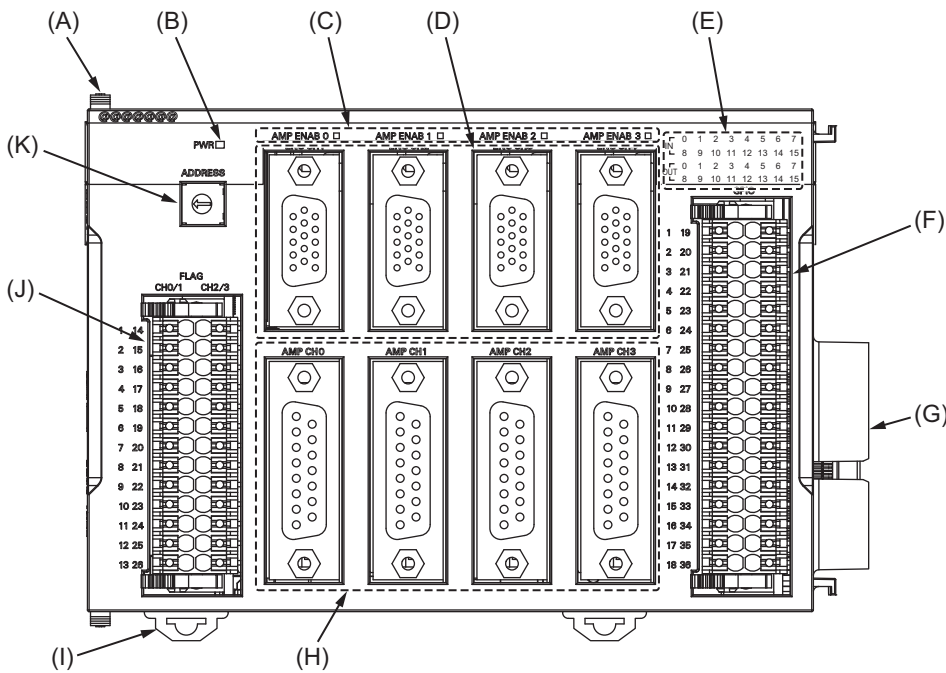
Be sure to use the following cables for the DirectPWM type amplifier connector.

| Type               | Model         | Length |
|--------------------|---------------|--------|
| For DirectPWM type | CK3W-CAAD009A | 0.9 m  |
|                    | CK3W-CAAD018A | 1.8 m  |
|                    | CK3W-CAAD036A | 3.6 m  |



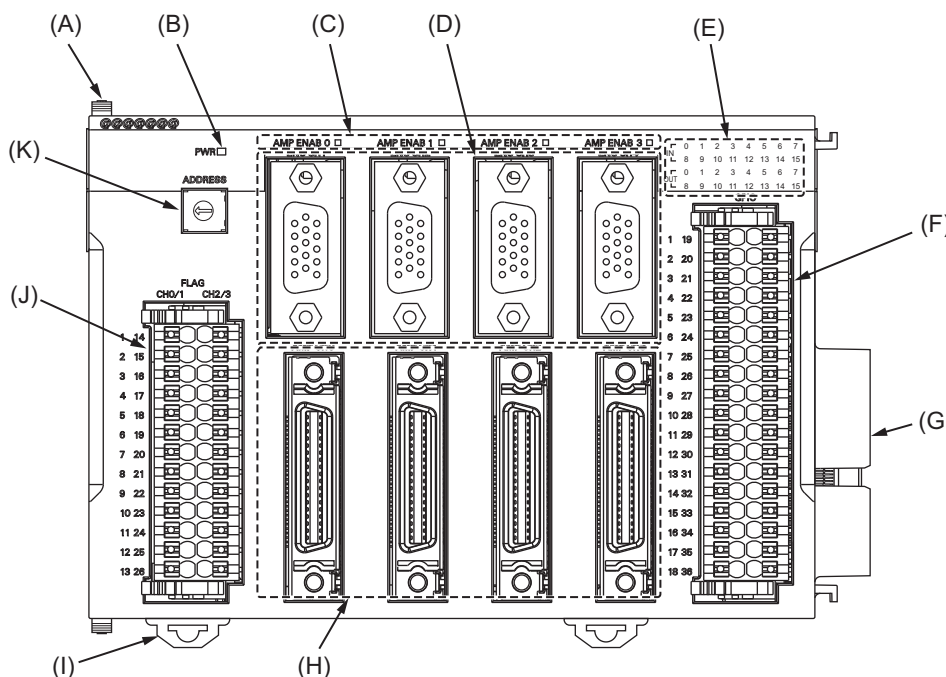
# Part Names and Functions

## CK3W-AX1414□/-AX1515□



| Letter | Name  | Function  |
|--------|---|---|
| A      | Slider  | Holds the Units together.                               |
| B      | Power supply status indicator                 | Shows the power supply status.                          |
| C      | Amp enable status indicator                   | Shows the Amp enable status.                            |
| D      | Encoder connector                             | Connects the encoder.                                   |
| E      | General digital input/output status indicator | Shows the general digital input/output status.          |
| F      | General digital I/O connection terminal block | Connects the general digital input/output.              |
| G      | Unit connector                                | Connector that connects to the Unit.                    |
| H      | Amplifier connector                           | Connects the amplifier.                                 |
| I      | DIN Track mounting hook                       | Used to mount the Unit to a DIN Track.                  |
| J      | Flag connection terminal block                | Connects the HOME/PLIM/NLIM/USER inputs and EQU output. |
| K      | Address switch                                | Sets the Gate3 Index.                                   |

## CK3W-AX1313□/-AX2323□

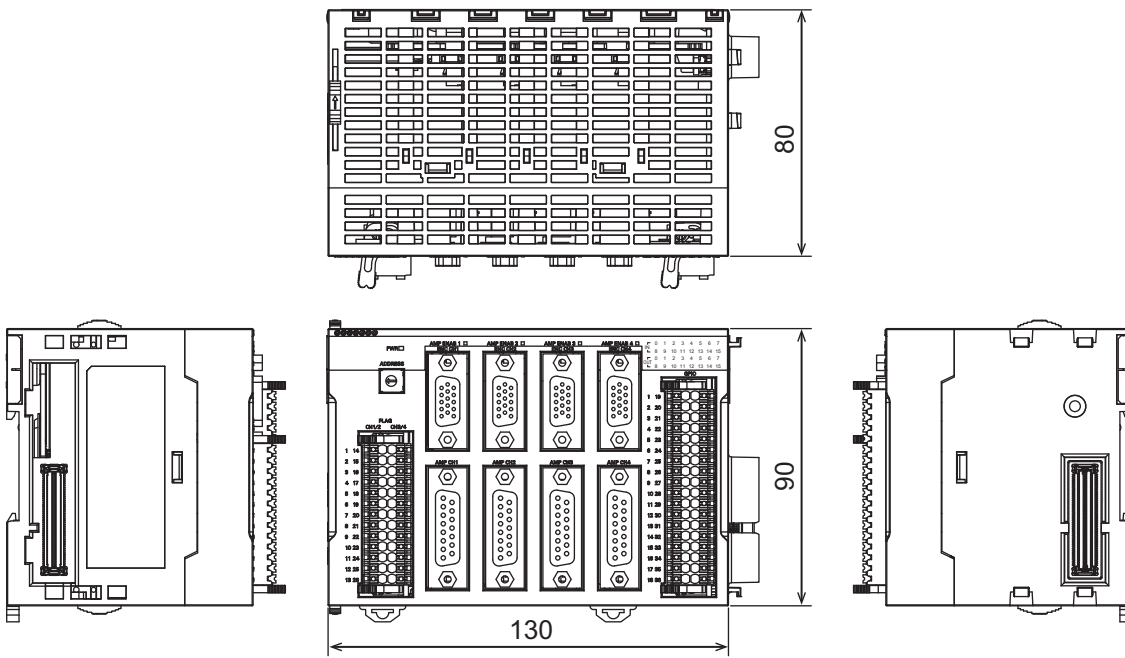


| Letter | Name  | Function  |
|--------|---|---|
| A      | Slider  | Holds the Units together.                               |
| B      | Power supply status indicator                 | Shows the power supply status.                          |
| C      | Amp enable status indicator                   | Shows the Amp enable status.                            |
| D      | Encoder connector                             | Connects the encoder.                                   |
| E      | General digital input/output status indicator | Shows the general digital input/output status.          |
| F      | General digital I/O connection terminal block | Connects the general digital input/output.              |
| G      | Unit connector                                | Connector that connects to the Unit.                    |
| H      | Amplifier connector                           | Connects the amplifier.                                 |
| I      | DIN Track mounting hook                       | Used to mount the Unit to a DIN Track.                  |
| J      | Flag connection terminal block                | Connects the HOME/PLIM/NLIM/USER inputs and EQU output. |
| K      | Address switch                                | Sets the Gate3 Index.                                   |

# Dimensions

(Unit: mm)

## Axis Interface Unit

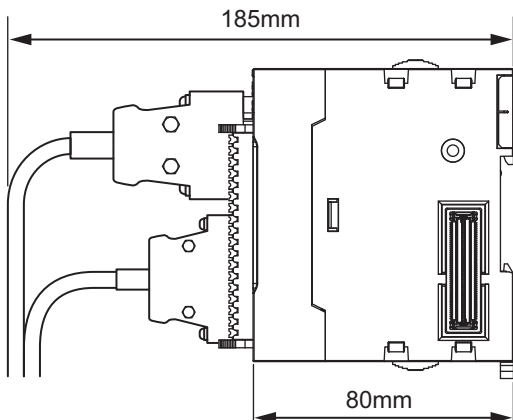


## Axis Interface Unit

| Model        | Unit width (mm) |
|--------------|-----------------|
| CK3W-AX1313N | 130             |
| CK3W-AX1414N |                 |
| CK3W-AX1515N |                 |
| CK3W-AX2323N |                 |
| CK3W-AX1313P |                 |
| CK3W-AX1414P |                 |
| CK3W-AX1515P |                 |
| CK3W-AX2323P |                 |

## Installation Height

### For CK3W-AX Unit



## Related Manuals

The following manuals are related. Use these manuals for reference. Contact your OMRON representative for information on how to procure these manuals.

| Manual name  | Cat. No. | Application   | Description  |
|--|----------|---|--|
| CK3M/CK5M-series Programmable Multi-Axis Controller Hardware User's Manual | O036     | Learning the basic specifications of the CK3M/CK5M-series Programmable Multi-Axis Controller, including introductory information, design, installation, and maintenance. Mainly hardware information is provided. | An introduction to the entire CK3M/CK5M-series system is provided along with the following information. <ul style="list-style-type: none"> <li>• Features and system configuration</li> <li>• Introduction</li> <li>• Part names and functions</li> <li>• General specifications</li> <li>• Installation and wiring</li> <li>• Maintenance and inspection</li> </ul> |
| Power PMAC User's Manual   | O014     | Learning the features and usage examples of the Motion Controller.  | The following information is provided on the Motion Controller. <ul style="list-style-type: none"> <li>• Basic functions</li> <li>• Setup examples</li> <li>• Programming examples</li> </ul>  |
| Power PMAC Software Reference Manual                                       | O015     | Learning how to program Motion Controller.  | The following information is provided on the Motion Controller. <ul style="list-style-type: none"> <li>• Details of commands</li> <li>• Details of data structure</li> </ul>   |
| Power PMAC IDE User Manual   | O016     | Learning how to operate Power PMAC IDE, the integrated development environment of the Controller.   | Describes the operating procedures of Power PMAC IDE, and examples of how to start the system.   |
| Power PMAC-NC Quick Start Manual   | O017     | Briefly understanding the basic usage of Power PMAC-NC.   | Describes the Quick setup procedure to run Power PMAC-NC on a desktop PC by showing some examples.   |
| Power PMAC-NC .ini Configuration Manual                                    | O018     | Configuring an application for CNC devices by using Power PMAC-NC.  | Describes how to set up <i>PowerPmacNC.ini</i> , the setup data file to be loaded when Power PMAC-NC starts.   |
| Power PMAC-NC Software User Manual   | O019     | Learning about usage and features of Power PMAC-NC, Support Software required to use the Controller for CNC devices.  | The following information is provided on Power PMAC-NC. <ul style="list-style-type: none"> <li>• How to use the software</li> <li>• Features included in the software</li> <li>• Features that can be customized</li> </ul>  |
| Power PMAC-NC Mill G-Code Manual   | O020     | Creating programs for CNC devices by using Power PMAC-NC.   | Describes the basic G-code set that can be used for Power PMAC-NC, and relevant instructions.  |

EtherCAT® is a registered trademark and patented technology, licensed by Beckhoff Automation GmbH, Germany.

EtherNet/IP™ is trademarks of ODVA.

Other company names and product names in this document are the trademarks or registered trademarks of their respective companies.

The product photographs and figures that are used in this catalog may vary somewhat from the actual products.

PMAC is an abbreviation for Programmable Multi Axis Controller.



## Terms and Conditions Agreement

### Read and understand this catalog.

Please read and understand this catalog before purchasing the products. Please consult your OMRON representative if you have any questions or comments.

### Warranties.

(a) Exclusive Warranty. Omron's exclusive warranty is that the Products will be free from defects in materials and workmanship for a period of twelve months from the date of sale by Omron (or such other period expressed in writing by Omron). Omron disclaims all other warranties, express or implied.

(b) Limitations. OMRON MAKES NO WARRANTY OR REPRESENTATION, EXPRESS OR IMPLIED, ABOUT NON-INFRINGEMENT, MERCHANTABILITY OR FITNESS FOR A PARTICULAR PURPOSE OF THE PRODUCTS. BUYER ACKNOWLEDGES THAT IT ALONE HAS DETERMINED THAT THE PRODUCTS WILL SUITABLY MEET THE REQUIREMENTS OF THEIR INTENDED USE.

Omron further disclaims all warranties and responsibility of any type for claims or expenses based on infringement by the Products or otherwise of any intellectual property right. (c) Buyer Remedy. Omron's sole obligation hereunder shall be, at Omron's election, to (i) replace (in the form originally shipped with Buyer responsible for labor charges for removal or replacement thereof) the non-complying Product, (ii) repair the non-complying Product, or (iii) repay or credit Buyer an amount equal to the purchase price of the non-complying Product; provided that in no event shall Omron be responsible for warranty, repair, indemnity or any other claims or expenses regarding the Products unless Omron's analysis confirms that the Products were properly handled, stored, installed and maintained and not subject to contamination, abuse, misuse or inappropriate modification. Return of any Products by Buyer must be approved in writing by Omron before shipment. Omron Companies shall not be liable for the suitability or unsuitability or the results from the use of Products in combination with any electrical or electronic components, circuits, system assemblies or any other materials or substances or environments. Any advice, recommendations or information given orally or in writing, are not to be construed as an amendment or addition to the above warranty.

See <http://www.omron.com/global/> or contact your Omron representative for published information.

### Limitation on Liability: Etc.

OMRON COMPANIES SHALL NOT BE LIABLE FOR SPECIAL, INDIRECT, INCIDENTAL, OR CONSEQUENTIAL DAMAGES, LOSS OF PROFITS OR PRODUCTION OR COMMERCIAL LOSS IN ANY WAY CONNECTED WITH THE PRODUCTS, WHETHER SUCH CLAIM IS BASED IN CONTRACT, WARRANTY, NEGLIGENCE OR STRICT LIABILITY.

Further, in no event shall liability of Omron Companies exceed the individual price of the Product on which liability is asserted.

### Suitability of Use.

Omron Companies shall not be responsible for conformity with any standards, codes or regulations which apply to the combination of the Product in the Buyer's application or use of the Product. At Buyer's request, Omron will provide applicable third party certification documents identifying ratings and limitations of use which apply to the Product. This information by itself is not sufficient for a complete determination of the suitability of the Product in combination with the end product, machine, system, or other application or use. Buyer shall be solely responsible for determining appropriateness of the particular Product with respect to Buyer's application, product or system. Buyer shall take application responsibility in all cases.

NEVER USE THE PRODUCT FOR AN APPLICATION INVOLVING SERIOUS RISK TO LIFE OR PROPERTY OR IN LARGE QUANTITIES WITHOUT ENSURING THAT THE SYSTEM AS A WHOLE HAS BEEN DESIGNED TO ADDRESS THE RISKS, AND THAT THE OMRON PRODUCT(S) IS PROPERLY RATED AND INSTALLED FOR THE INTENDED USE WITHIN THE OVERALL EQUIPMENT OR SYSTEM.

### Programmable Products.

Omron Companies shall not be responsible for the user's programming of a programmable Product, or any consequence thereof.

### Performance Data.

Data presented in Omron Company websites, catalogs and other materials is provided as a guide for the user in determining suitability and does not constitute a warranty. It may represent the result of Omron's test conditions, and the user must correlate it to actual application requirements. Actual performance is subject to the Omron's Warranty and Limitations of Liability.

### Change in Specifications.

Product specifications and accessories may be changed at any time based on improvements and other reasons. It is our practice to change part numbers when published ratings or features are changed, or when significant construction changes are made. However, some specifications of the Product may be changed without any notice. When in doubt, special part numbers may be assigned to fix or establish key specifications for your application. Please consult with your Omron's representative at any time to confirm actual specifications of purchased Product.

### Errors and Omissions.

Information presented by Omron Companies has been checked and is believed to be accurate; however, no responsibility is assumed for clerical, typographical or proofreading errors or omissions.

2023.7

In the interest of product improvement, specifications are subject to change without notice.

**OMRON Corporation**  
Industrial Automation Company

<http://www.ia.omron.com/>

(c)Copyright OMRON Corporation 2023 All Right Reserved.