

LED Landscape Lighting — Deck Lights

MODEL OD-HSA202



HIGHLIGHTS

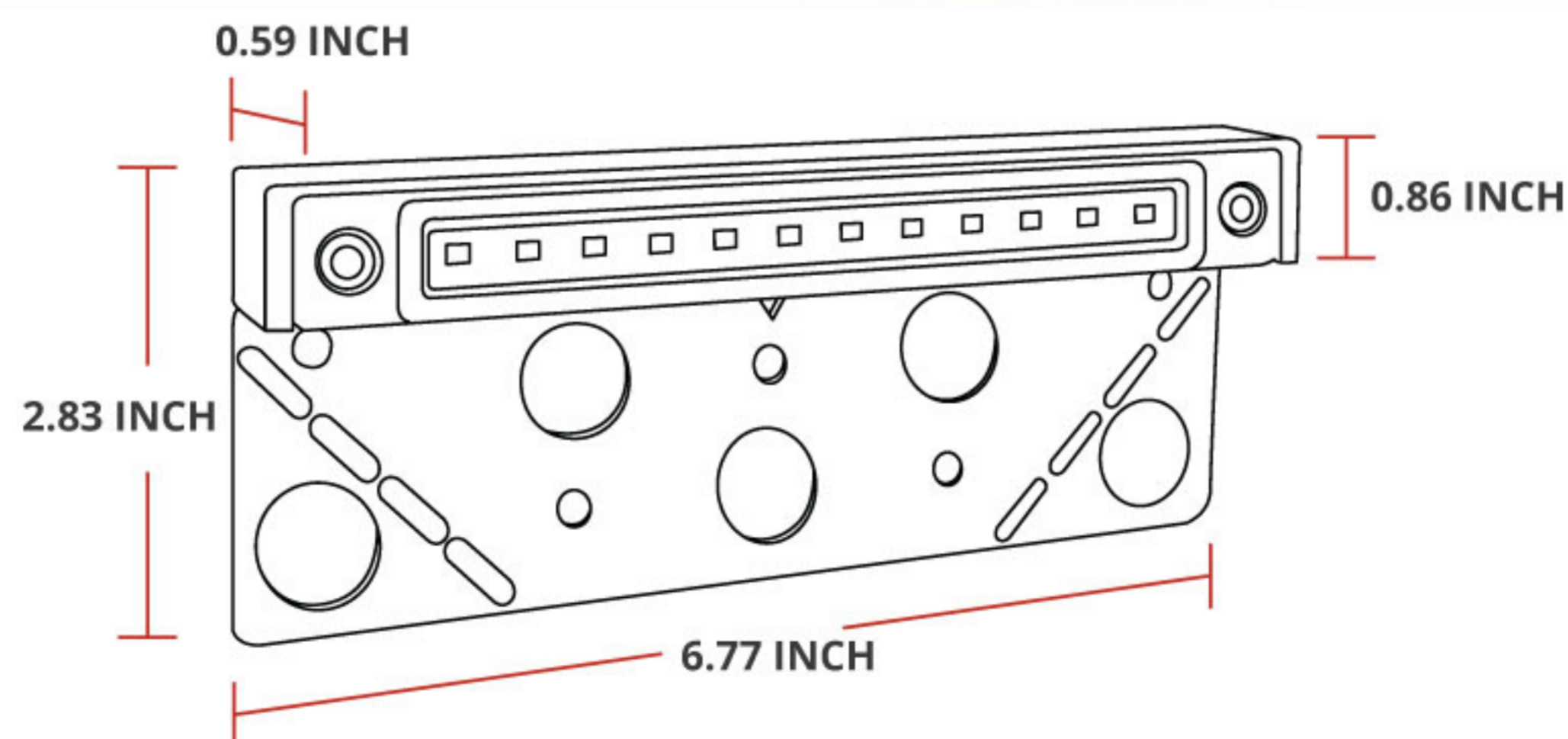
Features a highly efficient embedded integrated LEDs, warm-white LED array, it enhances the colors and shapes of the hardscape area being lit. Modular design LED could be easier replaced. With mounting bracket, it can be mounted under a horizontal cap or flush to a vertical or horizontal surface.

- 1.5W Replaceable LED module
- IP68+ (submerged in water for a week without leakage)
- Solid stainless steel mounting bracket
- 5-Year Warranty

SPECIFICATIONS

Model	OD-HSA202
Material	Aluminum
Input Voltage	12V AC
Wattage	1.5W
Light Source	Integrated LEDs
Color Temperature	2700k
Lumen	150lm
CRI	80
Wiring	3'SPT-1W
Lens	Clear Lens
Operating Temp.	-40°C~70°C

DIMENSIONS



Reference	QTY.	Remarks	Project:
			Location:
			Architect:
			Engineer:
			Contractor:
			Submitted by:
			Date:

ORTECH reserves the right to modify at any time, without notice, any or all of our product's features, designs, components and specifications to meet market changes.