

Rangehood Fans

MODEL OD-22014

ORTECH

Product Specification Sheet



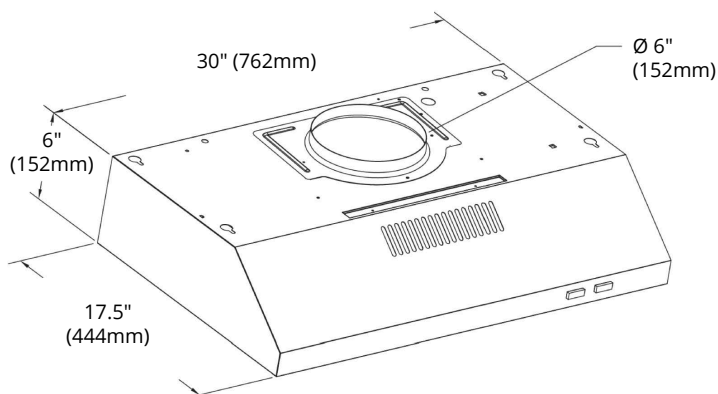
HIGHLIGHTS

- Ø 6" connection
- Wall or ceiling mount with charcoal filter
- 220 CFM 90W 120V AC 2 speed single motor rangehood fan
- RPM of low speed about 2112

SPECIFICATIONS

Model	OD-22014
Wattage	90W
Voltage	120V AC
Material	Stainless steel
Airflow	210 CFM (High Speed) / 150 CFM (Low Speed)
No. of Motor	Single
No. of Speed	2 speed
Control	Built-in push button
Warranty	1 year

DIMENSIONS



Available in following colours

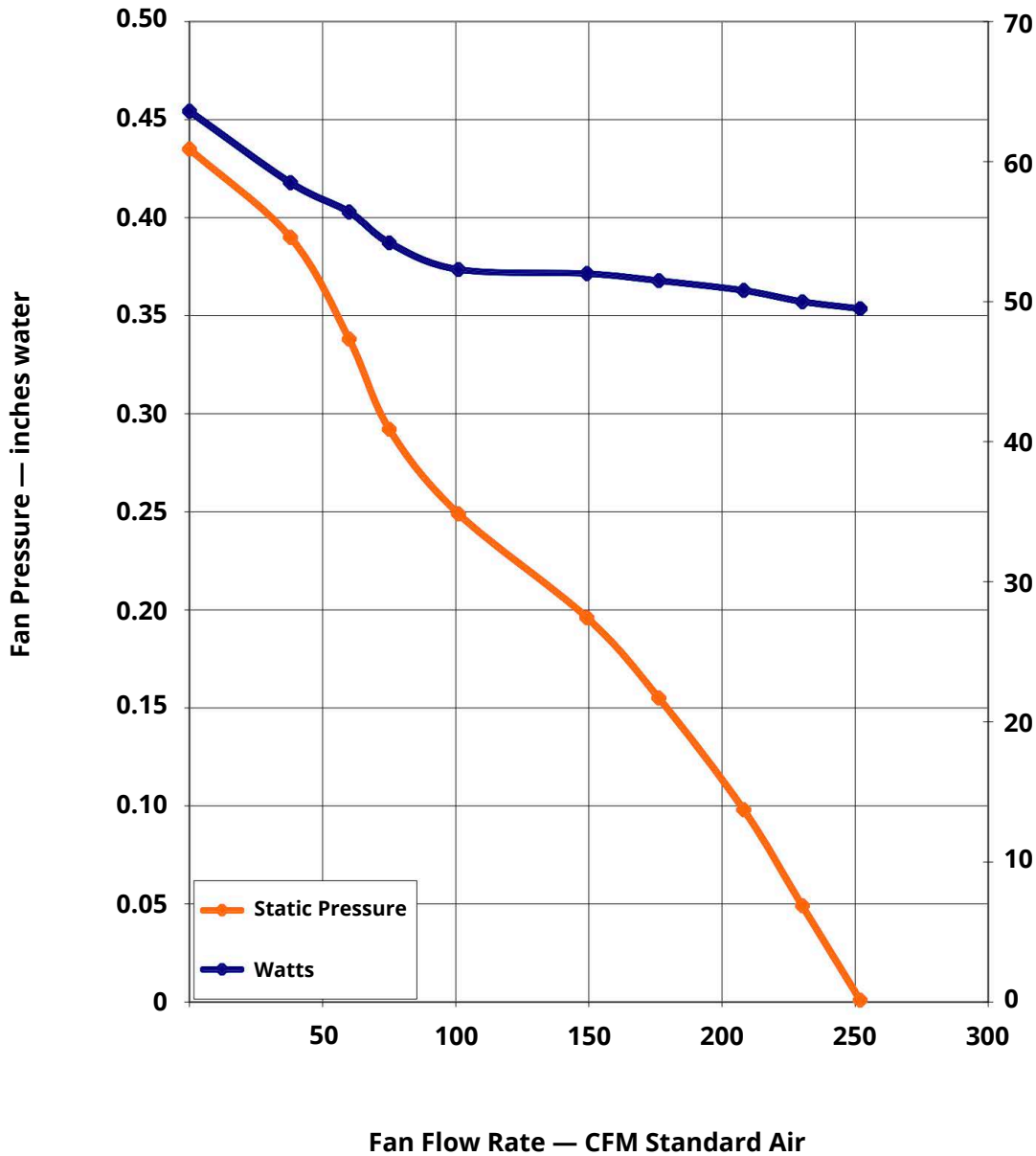
White
OD-22014 WH



Satin Nickel
OD-22014 SN



FAN CURVE GRAPH



OD-22014

Reference	QTY.	Remarks	Project:
			Location:
			Architect:
			Engineer:
			Contractor:
			Submitted by:
			Date:

ORTECH reserves the right to modify at any time, without notice, any or all of our product's features, designs, components and specifications to meet market changes.