

Bracket for base mounting, accessory for signaling columns, with diameter 70 mm



product brand name	SIRIUS		
product designation	Bracket		
design of the product	for base mounting		
General technical data			
reference code according to EN 61346-2	U		
Enclosure			
height	57 mm		
width	55 mm		
depth	76.5 mm		
material	PA		
color	black		
fastening method	base mounting		
protection class IP	IP65		
Ambient conditions			
ambient temperature during operation	-20 ... +50 °C		
Certificates/ approvals			
General Product Approval	EMC	Declaration of Conformity	other

[Confirmation](#)



[Confirmation](#)

Further information

Siemens has decided to exit the Russian market (see here).

<https://press.siemens.com/global/en/pressrelease/siemens-wind-down-russian-business>

Siemens is working on the renewal of the current EAC certificates.

Please contact your local Siemens office on the status of validity of the EAC certification if you intend to import or offer to supply these products to an EAC relevant market (other than the sanctioned EAEU member states Russia or Belarus).

Information on the packaging

<https://support.industry.siemens.com/cs/ww/en/view/109813875>

Information- and Downloadcenter (Catalogs, Brochures,...)

<https://www.siemens.com/ic10>

Industry Mall (Online ordering system)

<https://mall.industry.siemens.com/mall/en/en/Catalog/product?mlfb=8WD4408-0CD>

Cax online generator

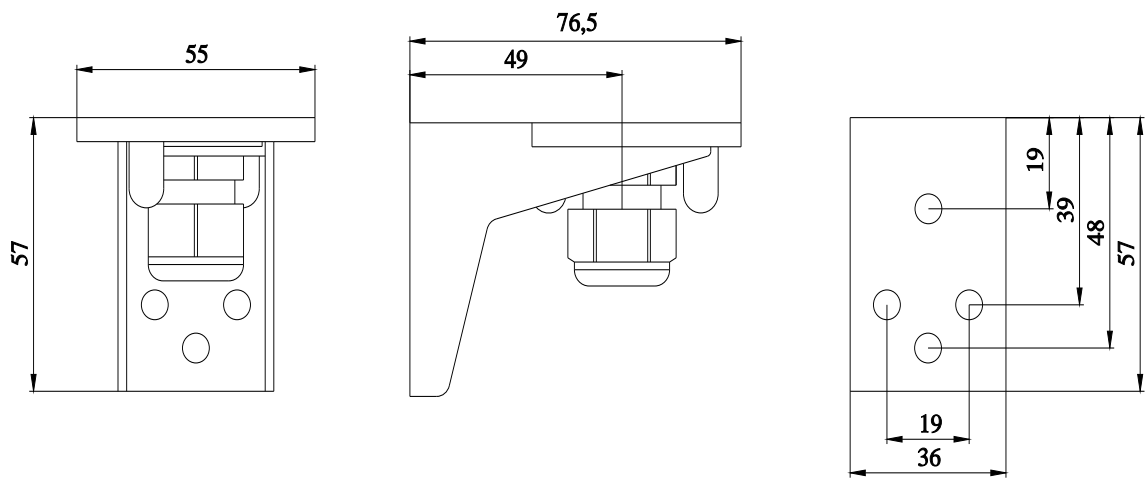
<http://support.automation.siemens.com/WW/CAXorder/default.aspx?lang=en&mlfb=8WD4408-0CD>

Service&Support (Manuals, Certificates, Characteristics, FAQs,...)

<https://support.industry.siemens.com/cs/ww/en/ps/8WD4408-0CD>

Image database (product images, 2D dimension drawings, 3D models, device circuit diagrams, EPLAN macros, ...)

http://www.automation.siemens.com/bilddb/cax_de.aspx?mlfb=8WD4408-0CD&lang=en



last modified:

12/23/2020 