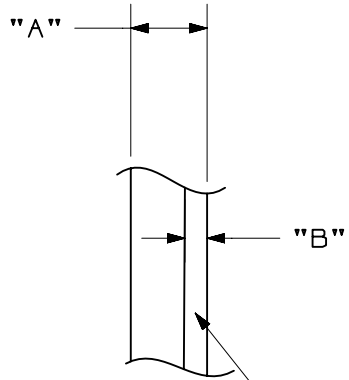
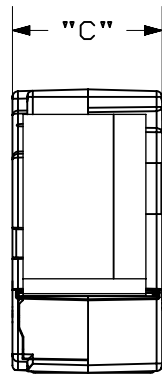
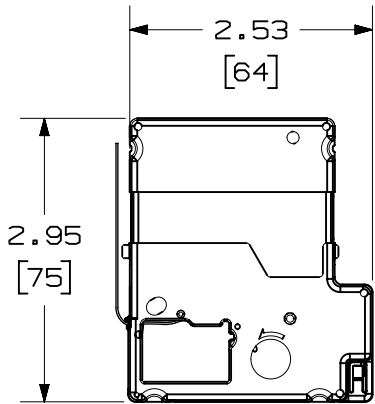


THIS COPY IS PROVIDED ON A RESTRICTED BASIS AND IS NOT TO BE USED IN ANY WAY DETRIMENTAL TO THE INTERESTS OF PANDUIT CORP.



| CASSETTE PART NO. | TAPE WIDTH "A" +/- 0.05[+/-1.3] | PRINTABLE WIDTH "B" +/- 0.05[+/-1.3] | CASSETTE WIDTH "C" | MATERIAL | COMPATIBLE PRINTERS | ROLL LENGTH |
|-------------------|---------------------------------|--------------------------------------|--------------------|----------|---------------------|------------------------|
| S000X100VAM | 0.945 [24.0] | .315 [8.0] REF | 1.10 [27.9] REF | GMV21 | MP100, MP200, MP300 | 26' MIN 8 METER MIN |
| S000X150VAM | 1.417 [36.0] | .512 [13.0] REF | 1.56 [39.6] REF | GMV22 | MP300 | |



| | | | |
|--------------------|------------|-------------------------------------|-------|
| PART NUMBER | | MP printer Self-lam continuous tape | |
| TITLE | | MP Self-Lam Continuous Tape | |
| CUSTOMER DRAWING | | | |
| ITEM REVISION NAME | | 100743XU/00 | |
| DATASET FILE NAME | | 100743XU_DC/00B | |
| MATERIAL | | SEE TABLE | |
| DRAWN BY | | DATE | CHK |
| JSUN | 04/27/2020 | JSUN | SCALE |
| DESCRIPTION | | NONE | |
| ECN | | SHEET 1 OF 1 | |
| REV | | A | |

| REV | DATE | BY | CHK | APR | DESCRIPTION | ECN |
|-----|------------|------|------|------|---|-----------|
| 00B | 06/09/2023 | JSUN | BRJO | MSAD | A. CHANGE REV 00 TO REV 00A. B. ADD MATERIAL COLUMN IN TABLE. C. CHANGE MATERIAL IN TITLE BLOCK TO "SEE TABLE". D. ADD COMPATIBLE PRINTERS COLUMN. | 114094/00 |
| 00A | 04/27/20 | JSUN | JSUN | RKB | INITIAL RELEASE | 080316 |



DRAWING NUMBER
I00743XU_DC

A-SIZE CUSTOMER

A

2

1