

ID key ID group individual, white, programmable via TIA Portal and IO-Link



product brand name	SIRIUS ACT
product designation	ID keys
design of the product	ID group individual
product type designation	3SU1
Actuator	
outer diameter of the actuating element	7.7 mm
General technical data	
design of the RFID coding	individually coded, multiple teach-in capability
Substance Prohibition (Date)	10/01/2014
Ambient conditions	
ambient temperature	
• during operation	70 ... -25 °C
• during storage and transport	-40 ... +80 °C
environmental category during operation according to IEC 60721	3M6, 3S2, 3B2, 3C3, 3K6 (with relative air humidity of 10 ... 95%)
Installation/ mounting/ dimensions	
mounting height	8.5 mm
installation depth	55 mm
Accessories	
material of accessory	Plastic
color of accessory	white
Certificates/ approvals	
General Product Approval	Declaration of Conformity



[Confirmation](#)



Test Certificates

Marine / Shipping

other

[Type Test Certificates/Test Report](#)



[Confirmation](#)

Environment

[Environmental Con-](#)

Further information

Siemens has decided to exit the Russian market (see here).

<https://press.siemens.com/global/en/pressrelease/siemens-wind-down-russian-business>

Siemens is working on the renewal of the current EAC certificates.

Please contact your local Siemens office on the status of validity of the EAC certification if you intend to import or offer to supply these products to an EAC relevant market (other than the sanctioned EAEU member states Russia or Belarus).

Information on the packaging

<https://support.industry.siemens.com/cs/ww/en/view/109813875>

Information- and Downloadcenter (Catalogs, Brochures,...)

<https://www.siemens.com/ic10>

Industry Mall (Online ordering system)

<https://mall.industry.siemens.com/mall/en/en/Catalog/product?mlfb=3SU1900-0FU60-0AA0>

Cax online generator

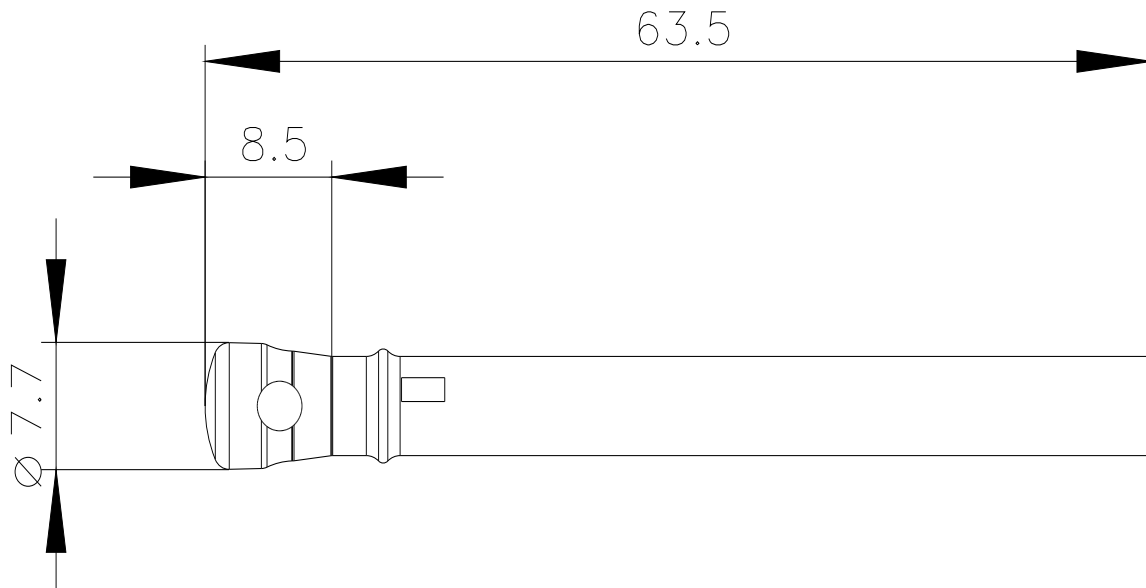
<http://support.automation.siemens.com/WW/CAXorder/default.aspx?lang=en&mlfb=3SU1900-0FU60-0AA0>

Service&Support (Manuals, Certificates, Characteristics, FAQs,...)

<https://support.industry.siemens.com/cs/ww/en/ps/3SU1900-0FU60-0AA0>

Image database (product images, 2D dimension drawings, 3D models, device circuit diagrams, EPLAN macros, ...)

http://www.automation.siemens.com/bilddb/cax_de.aspx?mlfb=3SU1900-0FU60-0AA0&lang=en



last modified:

4/4/2022