



Connection element with cover, for pipe, floor and, bracket mounting, accessory for signaling columns, with diameter 50 mm

product brand name	SIRIUS	
product designation	Connection element	
design of the product	for mounting on pipes, floors and angles	
General technical data		
reference code according to EN 61346-2	X	
Enclosure		
height	58 mm	
width	52 mm	
outer diameter of the signal column element	50 mm	
material	PA	
color	black	
fastening method	mounting on pipes	
protection class IP	IP54	
type of electrical connection	screw-type terminals	
tightening torque with screw-type terminals	0.4 N·m	
Ambient conditions		
ambient temperature during operation	-20 ... +50 °C	
Certificates/ approvals		
General Product Approval	EMC	Declaration of Conformity

[Confirmation](#)



other

[Confirmation](#)

Further information

Siemens has decided to exit the Russian market (see here).
<https://press.siemens.com/global/en/pressrelease/siemens-wind-down-russian-business>

Siemens is working on the renewal of the current EAC certificates.

Please contact your local Siemens office on the status of validity of the EAC certification if you intend to import or offer to supply these products to an EAC relevant market (other than the sanctioned EAEU member states Russia or Belarus).

Information on the packaging

<https://support.industry.siemens.com/cs/ww/en/view/109813875>

Information- and Downloadcenter (Catalogs, Brochures,...)

<https://www.siemens.com/ic10>

Industry Mall (Online ordering system)

<https://mall.industry.siemens.com/mall/en/en/Catalog/product?mlfb=8WD4208-0AA>

Cax online generator

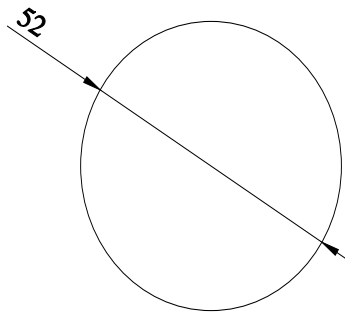
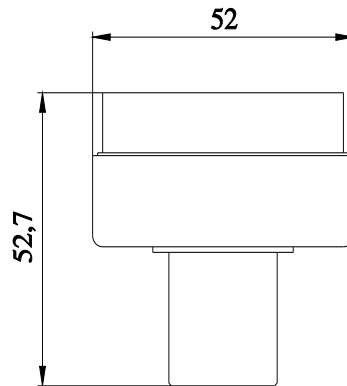
<http://support.automation.siemens.com/WW/CAXorder/default.aspx?lang=en&mlfb=8WD4208-0AA>

Service&Support (Manuals, Certificates, Characteristics, FAQs,...)

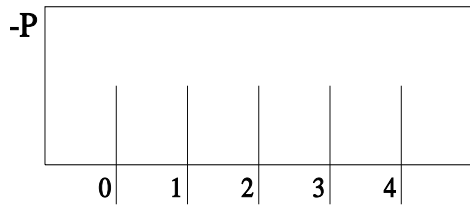
<https://support.industry.siemens.com/cs/ww/en/ps/8WD4208-0AA>

Image database (product images, 2D dimension drawings, 3D models, device circuit diagrams, EPLAN macros, ...)

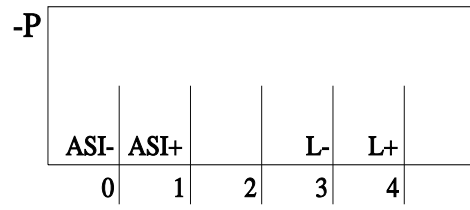
http://www.automation.siemens.com/bilddb/cax_de.aspx?mlfb=8WD4208-0AA&lang=en



Standard



ASI



last modified:

12/23/2020 