



cable-operated switch metal enclosure, 2 xM20 x1.5; 1 NO+1 NC, latching, ISO 13850 and button reset, for wire lengths up to 20 m

| | |
|---|-----------------------|
| product brand name | SIRIUS |
| product designation | cable-operated switch |
| product type designation | 3SE7 |
| General technical data | |
| product function EMERGENCY STOP function | Yes |
| product component light source | No |
| insulation voltage rated value | 400 V |
| degree of pollution | class 3 |
| surge voltage resistance rated value | 6 kV |
| protection class IP | IP65 |
| mechanical service life (operating cycles) typical | 100 000 |
| thermal current | 6 A |
| reference code according to IEC 81346-2 | S |
| continuous current of the DIAZED fuse link gG | 6 A |
| Substance Prohibitance (Date) | 07/01/2006 |
| Ambient conditions | |
| ambient temperature during operation | -25 ... +70 °C |
| number of NC contacts for auxiliary contacts | 1 |
| number of NO contacts for auxiliary contacts | 1 |
| operational current at AC-15 | |
| • at 240 V rated value | 6 A |
| • at 400 V rated value | 6 A |
| operational current at DC-13 | |
| • at 24 V rated value | 3 A |
| • at 250 V rated value | 0.27 A |
| Enclosure | |
| material of the enclosure | metal |
| material of the enclosure cover | Plastic |
| product component EMERGENCY STOP device | No |
| color | |
| • of the enclosure | black |
| • of the enclosure top part | grey |
| coating of the enclosure | painted |
| Display | |
| product function status display | Yes |
| circuit principle | Jump function |
| material of the contact | Silver |
| number of switching contacts safety-related | 1 |
| cable entry type | 2x M20 x 1,5 |
| Installation/ mounting/ dimensions | |

| | |
|------------------|--------------|
| fastening method | screw fixing |
| height | 171 mm |
| width | 52 mm |
| depth | 54 mm |

Connections/ Terminals

| | |
|--|-----------------------------------|
| type of electrical connection | screw-type terminals |
| type of connectable conductor cross-sections | |
| <ul style="list-style-type: none"> • solid | 2x (0.5 ... 2.5 mm ²) |
| <ul style="list-style-type: none"> • finely stranded with core end processing | 2x (0.5 ... 2.5 mm ²) |
| <ul style="list-style-type: none"> • for AWG cables solid | 2x (20 ... 14) |
| <ul style="list-style-type: none"> • for AWG cables stranded | 2x (20 ... 14) |

Safety related data

| | |
|--|---------|
| B10 value with high demand rate according to SN 31920 | 100 000 |
| proportion of dangerous failures with high demand rate according to SN 31920 | 50 % |

Certificates/ approvals

| | |
|--------------------------|---------------------------|
| General Product Approval | Declaration of Conformity |
|--------------------------|---------------------------|



[Confirmation](#)



EG-Konf.

| | |
|-------------------|-------|
| Marine / Shipping | other |
|-------------------|-------|



LRS



PRS



DNV-GL

[Confirmation](#)

Further information

Siemens has decided to exit the Russian market (see here).

<https://press.siemens.com/global/en/pressrelease/siemens-wind-down-russian-business>

Siemens is working on the renewal of the current EAC certificates.

Please contact your local Siemens office on the status of validity of the EAC certification if you intend to import or offer to supply these products to an EAC relevant market (other than the sanctioned EAEU member states Russia or Belarus).

Information on the packaging

<https://support.industry.siemens.com/cs/ww/en/view/109813875>

Information- and Downloadcenter (Catalogs, Brochures,...)

<https://www.siemens.com/ic10>

Industry Mall (Online ordering system)

<https://mall.industry.siemens.com/mall/en/en/Catalog/product?mlfb=3SE7150-1BD00>

Cax online generator

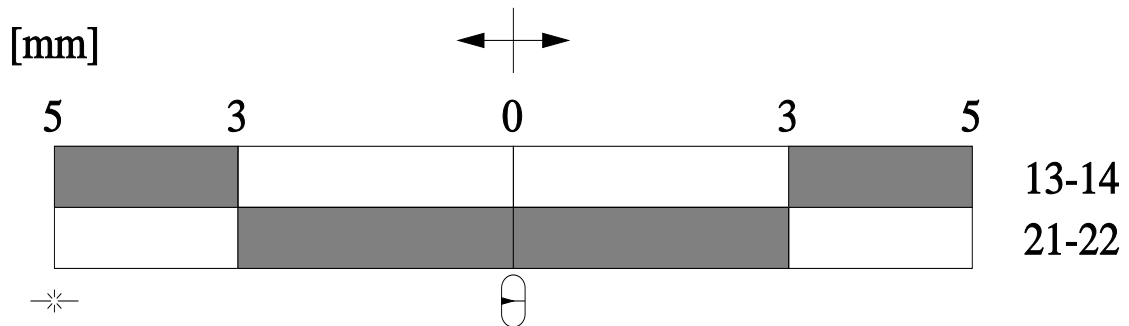
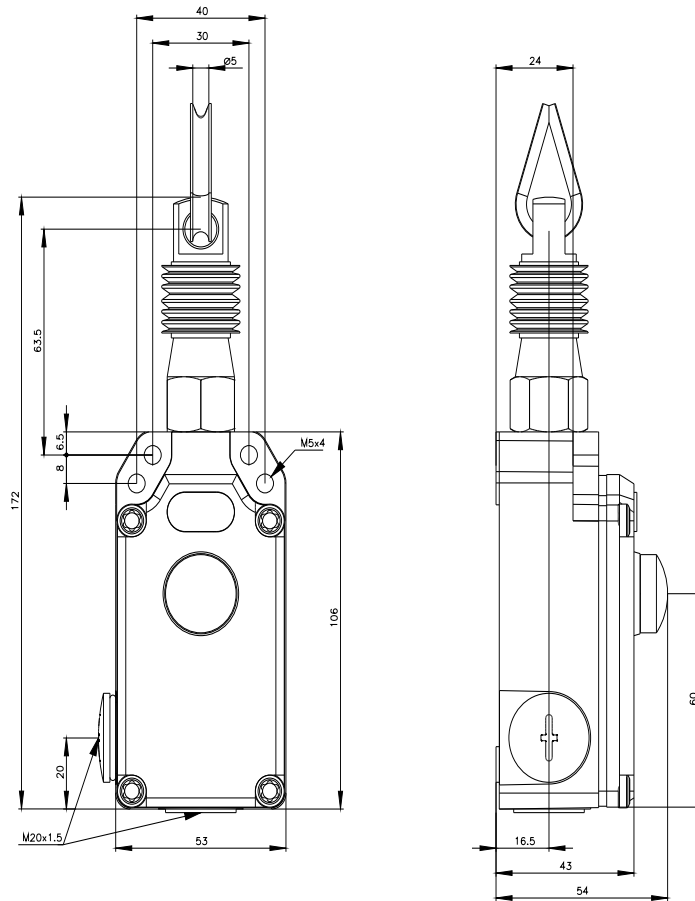
<http://support.automation.siemens.com/WW/CAXorder/default.aspx?lang=en&mlfb=3SE7150-1BD00>

Service&Support (Manuals, Certificates, Characteristics, FAQs,...)

<https://support.industry.siemens.com/cs/ww/en/ps/3SE7150-1BD00>

Image database (product images, 2D dimension drawings, 3D models, device circuit diagrams, EPLAN macros, ...)

http://www.automation.siemens.com/bilddb/cax_de.aspx?mlfb=3SE7150-1BD00&lang=en



➔ **Betätigungsrichtung / Travel**

⊕ **Mittelstellung / Middle position**

✱ **Seilriss / Rope rip**

■ **Schaltglied geschlossen / Contact element closed**

□ **Schaltglied geöffnet / Contact element open**

