



RH1S-LED

LED Round Highbay



- Lumen Adjustable**
- Colour Selectable**
- Voltage Range 120-347V**

IDEAL APPLICATIONS

- ✓ Warehouses
- ✓ Factories
- ✓ Gyms
- ✓ Industrial Applications
- ✓ Food and Beverage Processing
- ✓ Commercial Kitchens

DESCRIPTION:

The RHS-LED Series of highbay luminaires are ruggedly designed, easy to install, and deliver a high lumen output ideal for illuminating warehouses, manufacturing facilities, recreational facilities, gyms, food and beverage processing and commercial kitchens. This fixture series offers the most current, easy to use, affordable control options adding greater functionality to your installation. NEMA4X and NSF certified.

FEATURES:

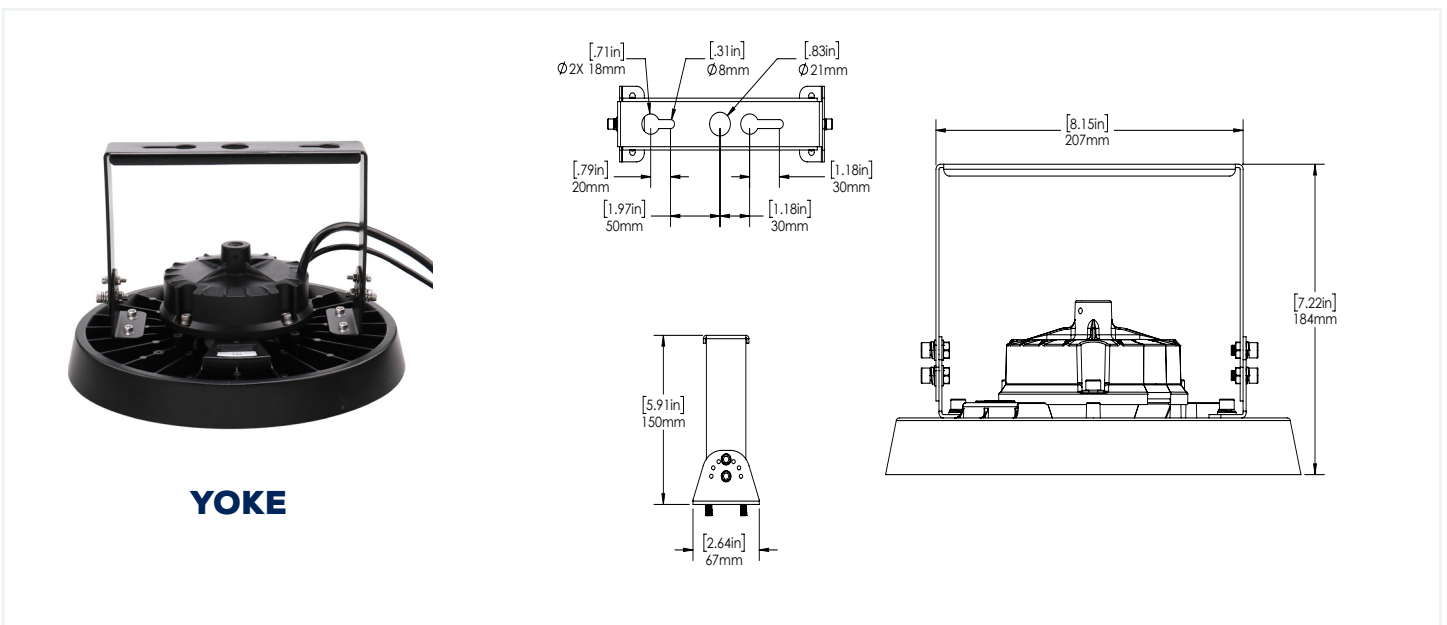
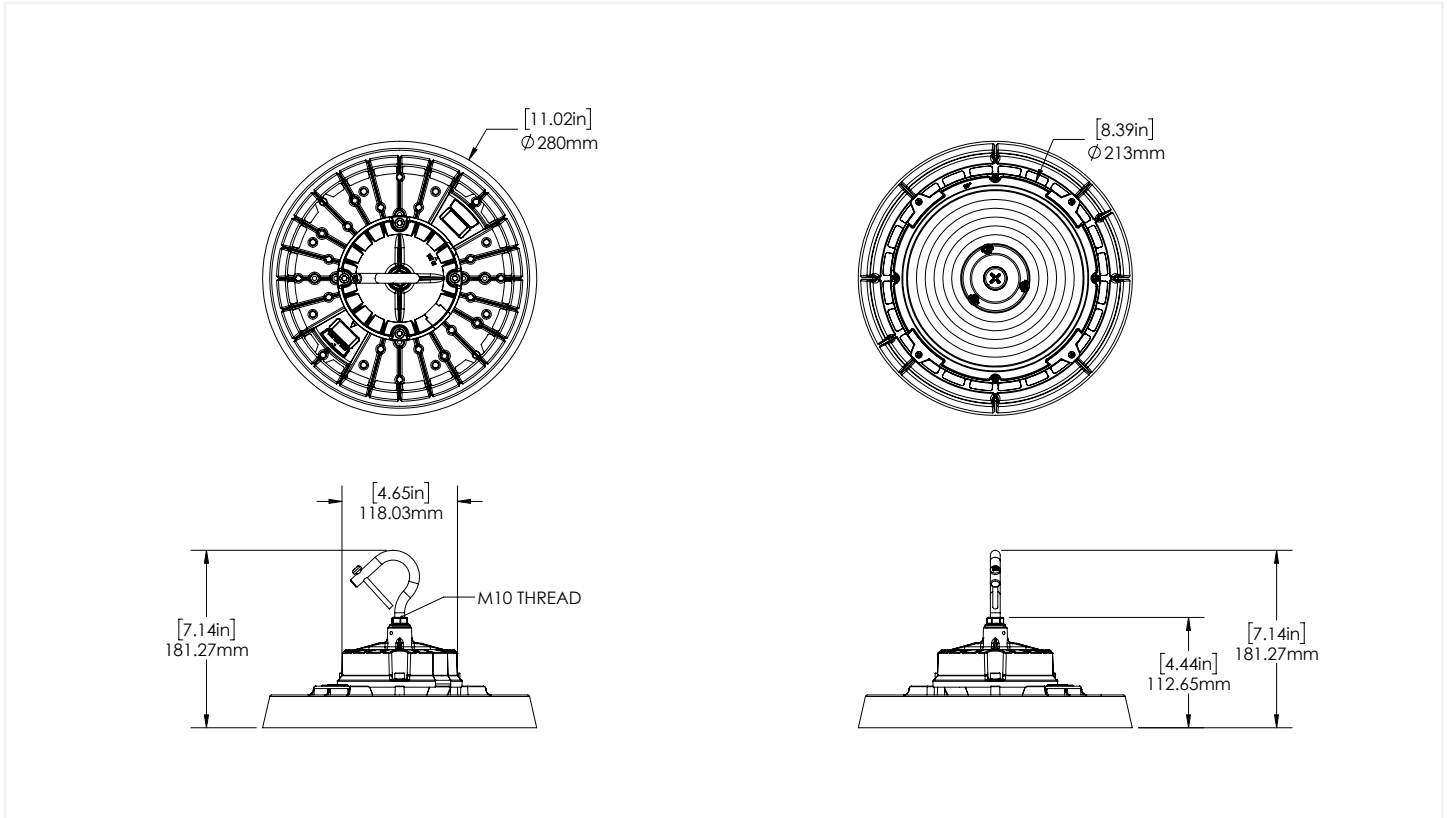
- Ruggedly designed with die cast aluminum body and polycarbonate lens. NEMA4X and NSF certified.
- Colour Selectable fixture allows Installer to choose between 3500K/4000K/5000K at the time of installation.
- The Lumen adjustable fixture allows Installer to select between 3 wattage settings:
 RH1S-LED100A60 - 100W/80W/60W
 RH1S-LED150A100 - 150W/120W/100W
- Easy to install with mounting hook and 2 meter cord for line voltage and 0.5 meter cord for 0-10V dimming.
- At each wattage setting, the brightness can be adjusted using the DC dimmer and remote control (sold separately).
- 12VDC Auxiliary available from fixture for lighting controls.
- Fixture can be suspended, pendant or yoke mounted. (Yoke sold as a separate accessory)
- Optional dual-functionality motion sensor/dimmer with easy plug-and-play install with no wiring needed. (More details on page 10)

SPECIFICATIONS	RH1S-LED100A60	RH1S-LED150A100
Watts (Maximum)	100.2 W	142.0 W
Lumens (Maximum)	14802 Lm	21045 Lm
Efficacy	147.8 Lm/W	148.2 Lm/W
Replaces Up To	250MH	400MH
Colour Temp	VK - Colour Selectable (3500K/4000K/5000K)	
Voltage	120-347V	
CRI	83	
Dimming	0-10V Dim to Off	
THD	3.32%	3.62%
PF	0.998	
Beam Distribution	90 Degrees	
LED Life (L78)	100,000 Hours	
Housing Finish	Matte Black	
Housing Details	Die Cast Aluminum	
Lens Details	Clear Polycarbonate Lens	
Mounting	Suspended*, Pendant, Yoke	
Cable Length	Input Power: 2m Cab Tire Cable (SJTW 3x18 AWG) Dimming and 12VDC AUX- 0.5m Cab Tire Cable (3x22 AWG)	
Operating Temp.	Without Motion Sensor: -40°C to 50°C With Motion Sensor: -30°C to 50°C With Battery Backup: 0°C to 50°C	
Options Sold Separately	Yoke, Wire Guard, Polycarbonate/ Aluminum Reflectors and Cover, Twistlock Motion Sensor/Wireless Dimmer and Remote Control, Emergency Battery Back-up, Junction Box Pendant Mount Kit, Adaptors for 1/2" NPT and 3/4" NPT Thread.	
Certifications	cULus Listed for Canada and USA, per UL1598, CSA C22.2 NO. 250.0-18, 4th Ed, Wet Location, IP65, DLC Premium, NEMA 4X per UL 50E, CSA C22.2 No. 94.2:20, 3G vibration rated per ANSI/IEECC136.31-2010, NSF (Splash Zone and Non Food Zone), 5 Year Warranty	

Note: Specs shown are for 120V/4000K
 *Standard Configuration



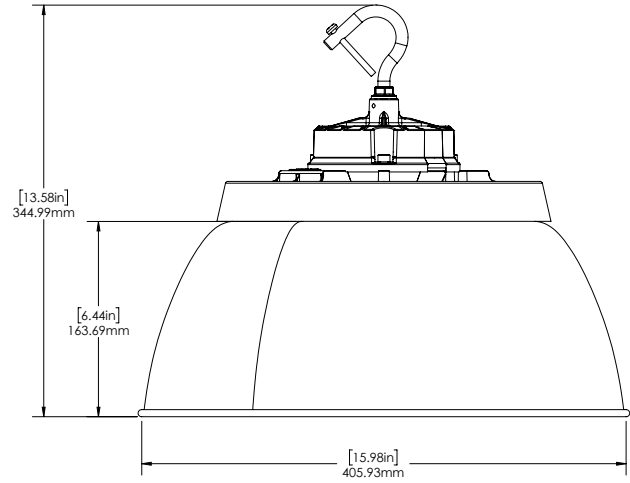
DIMENSIONS:



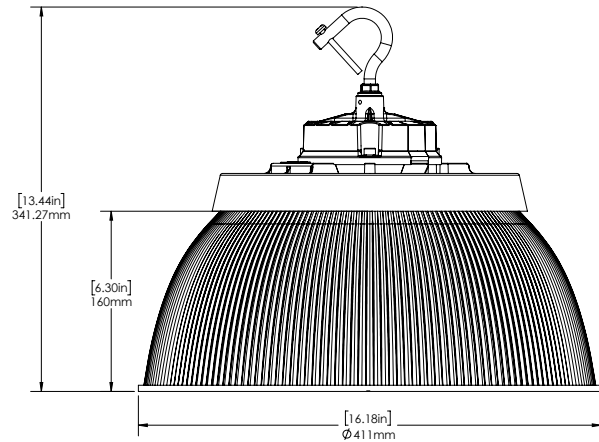
DIMENSIONS:



ALUMINUM REFLECTOR



**PC REFLECTOR
(CLEAR PRISMATIC)**



PC REFLECTOR COVER

