

CES-SRG-BK - Blind sleeve



0801670

<https://www.phoenixcontact.com/in/products/0801670>

Please be informed that the data shown in this PDF document is generated from our Online Catalog. Please find the complete data in the user documentation. Our General Terms of Use for Downloads are valid.



Blind sleeve, small, no. of conductors: 0, type: Blind sleeve, closed, material: NBR, color: black, length: 29.5 mm, width: 19.5 mm, height: 17 mm

Product Description

Blind sleeves seal feed-through sections that are not required in CES sealing frames

Commercial Data

Item number	0801670
Packing unit	10 pc
Minimum order quantity	10 pc
Sales Key	BF7
Product Key	BF7CCX
Catalog Page	Page 678 (C-2-2019)
GTIN	4046356674768
Weight per Piece (including packing)	9.62 g
Weight per Piece (excluding packing)	9.32 g
Customs tariff number	40169997
Country of origin	TW

CES-SRG-BK - Blind sleeve



0801670

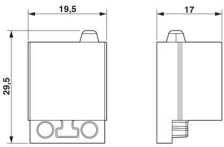
<https://www.phoenixcontact.com/in/products/0801670>

Technical Data

Product properties

Product type	Cable sleeve
No. of conductors	0

Dimensions

Dimensional drawing	
Width	19.5 mm
Height	17 mm
Length	29.5 mm

Material specifications

Color	black
Material (GRP)	NBR

Characteristics

Conductor sealing range	Blind sleeve
Seal size	small
Design, Format	Blind sleeve
Design, Cable seal	closed

Environmental and real-life conditions

Ambient conditions

Degree of protection	IP54 IP65
Ambient temperature (operation)	-40 °C ... 125 °C (static)

Mounting

Assembly instructions	IP54: for vertical sealing frame mounting/for horizontal sealing frame mounting (downward cable outlet direction).
-----------------------	--

Phoenix Contact 2023 © - all rights reserved
<https://www.phoenixcontact.com>

PHOENIX CONTACT (I) Pvt. Ltd.
A-58/2, Okhla Industrial Area, Phase - II, New Delhi-110 020

+91.1275.71420
info@phoenixcontact.co.in