



Features & Benefits

- **Remote notification and status with Kidde HomeSafe™:** Use the Kidde app to receive notifications if hazards are detected or to know when the device needs to be replaced. Mobile alerts allow you to notify friends and family of potential danger. Plus, you can Smart Hush™ false alarms when you are home.*
- **Early detection:** Detects leaks, flooding, or if the temperature starts approaching freezing, so you can take steps to avoid damage.
- **Simplify setup:** Just scan the QR code on the back of the product. No additional hub is needed to set up your Kidde smart devices.
- **Easy placement:** Sleek devices are small enough to fit in the palm of your hand, so you can put them anywhere in your home, like under sinks, dishwashers, toilets, refrigerators, or in crawl spaces and beside pipes or water heaters.
- **Battery powered:** 2 AA batteries are included for simple operation and quick replacement later.
- **1-Year Limited Warranty** on Water Leak Detector

*This feature is only available when you are connected to the same Wi-Fi network as the alarm.

** Based on total household installations as of December 2021

Remote alarm notifications

Real-time mobile alerts through the Kidde app.

Early Detection

Detects leaks, flooding, or if the temp approaches freezing.

Simplify setup

Scan the QR code on the back of the product. No additional hub needed.


Smart detection featuring Kidde HomeSafe

This alarm is part of a comprehensive suite of home safety devices that help protect against smoke, carbon monoxide, indoor air quality issues, leaks and freezes.

Description

When it comes to limiting potential water damage in your home, timing is everything. That's why Kidde designed the Water Leak + Freeze Detector with smart features to alert you to water leaks or temperatures approaching freezing as soon as a situation develops – even when you aren't at home. Simply place the devices in areas that are at a high risk for water damage or freezing. They'll emit a loud beep and connect with the Kidde app to send a notification to your phone, giving you the time you need to take action – and to help you stay ahead of major damage. As a trusted leader in fire safety for over 100 years, adding additional home safety detection to our family of products was the logical next step. The Kidde Water Leak + Freeze Detector comes equipped with the Kidde HomeSafe feature that connects it and all Kidde smart devices to the Kidde app for increased functionality. It gives you the confidence and control to help keep your home protected, even when you're not there. And it's all from the #1 most installed fire safety brand in North America.**

 **WARNING:** This water leak detector is not a life safety device.

 **WARNING:** Mobile alert services are ancillary to the product and for informational purposes only. They are not intended or suitable for life safety or critical purposes nor do these services take the place of third-party life safety monitoring services. This product's smartphone and tablet notifications require a stable Wi-Fi connection, and are only as reliable as your home Wi-Fi network. Images are representative only. Actual product may vary slightly.





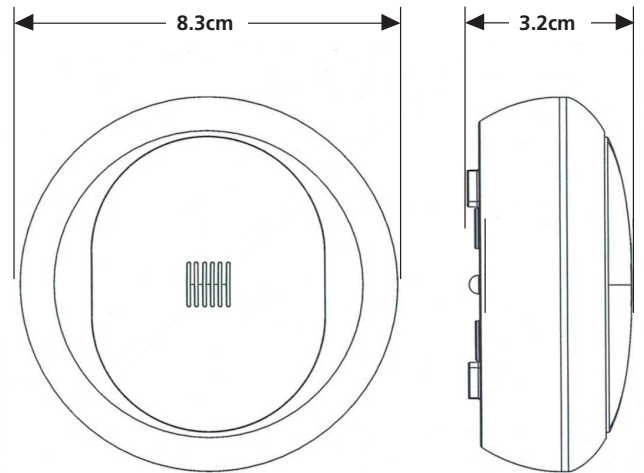
Architectural and Engineering Specs

See User Guide for complete instructions.

Specifications	
Installation	2 AA Battery Powered (Included)
Interconnect	No
Sounds and Warnings	
Water Presence	Red LED Blinks every 3 sec., Loud beep every 3 sec.
Low Temperature	
Rapid Temperature Change ~3°C Change in 10 Minutes	Mobile notification only
Technical Specifications	
Power Source	2 AA Battery Powered (Included)
Waterproof Level	IP65
Audio Alarm	85db at 1.2m
Temperature Range	0°C (32°F) to 40°C (104°F)
Humidity Range	≤90% relative humidity (RH), non-condensing
Water depth detection capability	> 0.38mm in depth
Connectivity	802.11b/g/n (2.4GHz) Wi-Fi Bluetooth 4.2 (For Commissioning Only)
Weight	0.07Kg
Warranty	1-Year (Batteries not included)

Important Information & Installation

This device is intended for indoor use only. To minimize false alarms and ensure proper detection of leaks, place the detector on a level, clean, dry surface, in the lowest location where water may be present. Do not install on metallic surfaces, as these may activate the alarm. Typical installations may include devices near the following: water heater, sump pit, utility sinks, kitchen & bath sinks, toilets, washing machines, refrigerators, and dishwasher. The device should float, but if trapped under an obstruction such as a water heater, water may enter through top of device and reduce sounder output level. Avoid placing where the device may be trapped by rising water.



Ordering Information (Not for sale by individual unit)

UPC	Ordering No:	I 2 of 5	Packaging	Master Pack Qty	Pallet Qty	Dimensions (cm) (w x d x h)	Weight
0-47871-31592-5	21031592	100-47871-31592-2	Box	5	840	14.7 x 24.1 x 14.0	0.7 Kg



KIDDE CANADA INC.
P.O. BOX 40
Apsley, ON KOL 1A0
1-877-542-5471 | www.KiddeCanada.com

Distributed by:



A Carrier Company
©2022 Carrier. All Rights Reserved.

All trademarks and service marks referred herein are property of their respective owners.