



Centium T12 Rapid Start

CENTIUM ELE BALLAST (2) F40T12 120-277V

No matter what the conditions require, operating at a variety of line voltages between 120V to 480V, whether located in high ambient temperature environments (requiring a 90° C rating) or not, our family of Philips Advance Centium ballasts are ideal for a wide variety of applications.

Product data

General Information		Rated Lamp Power	
Lamp Type	F40T12	Rated Lamp Power	40 W
Number of Lamps	1/2 piece/unit	Wiring	
Ballast Type	Electronic Fluorescent	Color Input Terminals	No terminals
Base Model	ICN2S40N	Color Output Terminals	No terminals
Suitable For Outdoor Use	Yes	Wire Striplength	0.50/0.375 mm
Automatic Restart	Yes	Lamp Connection	Series
Operating and Electrical		Wire Length by Color	See data sheet
Input Voltage	120 to 277 V	Wire Gauge (Nom)	18AWG mm
Input Frequency	50 to 60 Hz	Wire Type	Solid
Total Harmonic Distortion USA	10 %	Remote Wiring Configuration Allowed	Yes
Ignition Method	Rapid Start	Tandem Wiring Configuration Allowed	Yes
Crestfactor (Nom)	1.7	Through Wiring Configuration Allowed	Yes
Ignition Time (Nom)	1 s	Max Ballast-Lamp Distance Remote Wiring	20'
Ballast Factor (Nom)	0.85	Max Ballast-Lamp Distance Tandem Wiring	Red = 10'
Power Factor (Nom)	0.98	Max Ballast-Lamp Distance Through Wiring	Red = 10'
Input Current (Max)	0.62 A	Connector Type	No connector
Input Current (Min)	0.26 A		
Input Power (Nom)	72-72 W		

Centium T12 Rapid Start

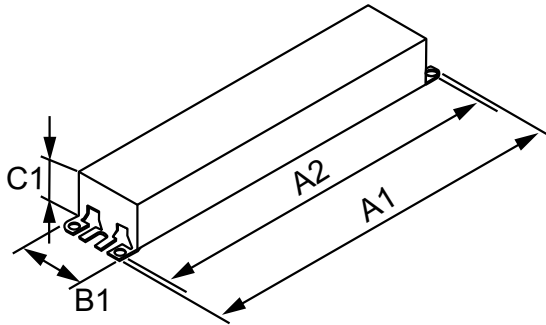
Temperature	
T-Case Maximum (Nom)	70 °C

Mechanical and Housing	
Housing Material	Metal
Housing	N
Housing Dimensions	9.5" x 1.3" x 1.0"

Approval and Application	
EMC Immunity Standard	FCC Non-Consumer
Approval Marks	CSA certificate UL certificate CEC Listing Circle E logo CSA E DOE RoHS Compliant
Hum And Noise Level	A
UL Recognized	No

Product Data	
Full product code	578108707487930
Order product name	CENTIUM ELE BALLAST (2) F40T12 120-277V
EAN/UPC - Product	781087074879
Order code	913710855802
Numerator - Quantity Per Pack	1
Numerator - Packs per outer box	30
Material Nr. (12NC)	913710855802
Net Weight (Piece)	0.187 kg

Dimensional drawing



ELE BALLAST (2) F40T12 120-277V

Product	A1	A2	B1	C1
CENTIUM ELE BALLAST (2) F40T12 120-277V	9.50 in	8.90 in	1.30 in	1.00 in

