



# Optanium T8 Programmed Start

## OPTANIUM ELE BALLAST (4) F32T8 120-277V

Philips Advance Optanium high-efficiency electronic ballasts are engineered to optimize lighting performance and maximize energy savings. These ballasts provide an unparalleled package of features and benefits to support the wide variety of T8 fluorescent lamps.

### Product data

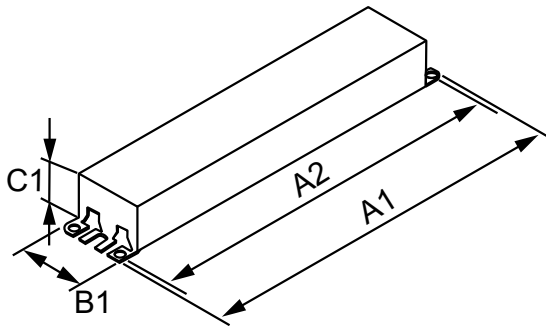
General Information		Rated Lamp Power	
Lamp Type	F32T8	Rated Lamp Power	32 W
Number of Lamps	3/4 piece/unit	<b>Wiring</b>	
Ballast Type	Electronic Fluorescent	Color Input Terminals	No terminals
Base Model	IOP4PSP32SC	Color Output Terminals	No terminals
Suitable For Outdoor Use	Yes	Wire Striplength	0.50/0.375 mm
Automatic Restart	Yes	Lamp Connection	Parallel
<b>Operating and Electrical</b>		Wire Length by Color	See data sheet
Input Voltage	120 to 277 V	Wire Gauge (Nom)	18AWG mm
Input Frequency	50 to 60 Hz	Wire Type	Solid
Total Harmonic Distortion USA	10 %	Remote Wiring Configuration Allowed	Yes
Ignition Method	Programmed Start	Tandem Wiring Configuration Allowed	Yes
Crestfactor (Nom)	1.6	Through Wiring Configuration Allowed	Yes
Ignition Time (Nom)	1.5 s	Max Ballast-Lamp Distance Remote Wiring	20'
Ballast Factor (Nom)	0.88	Max Ballast-Lamp Distance Tandem Wiring	Any = 20'
Power Factor (Nom)	0.98	Max Ballast-Lamp Distance Through Wiring	Any = 20'
Input Current (Max)	0.93 A	Connector Type	No connector
Input Current (Min)	0.40 A		
Input Power (Nom)	110-109 W		

## Optanium T8 Programmed Start

Temperature	
T-Case Maximum (Nom)	70 °C
Mechanical and Housing	
Housing Material	Metal
Housing	SC
Housing Dimensions	9.5" x 1.7" x 1.18"
Approval and Application	
EMC Immunity Standard	FCC Non-Consumer
Approval Marks	CSA certificate UL certificate CEC Listing CEE Rated NEMA Premium RoHS Compliant
Hum And Noise Level	A

UL Recognized	No
Product Data	
Order product name	OPTANIUM ELE BALLAST (4) F32T8 120-277V
EAN/UPC - Product	781087081808
Order code	913710894602
Numerator - Quantity Per Pack	1
Numerator - Packs per outer box	20
Material Nr. (12NC)	913710894602
Net Weight (Piece)	613.000 g

### Dimensional drawing



ELE BALLAST (4) F32T8 120-277V

Product	A1	A2	B1	C1
OPTANIUM ELE BALLAST (4) F32T8 120-277V	9.5 in	8.90 in	1.7 in	1.18 in

