

# AP 2-TU - Cover profile carrier

5022630

<https://www.phoenixcontact.com/in/products/5022630>

Please be informed that the data shown in this PDF document is generated from our Online Catalog. Please find the complete data in the user documentation. Our General Terms of Use for Downloads are valid.



Cover profile carrier for mounting on NS 32 or NS 35/7.5 DIN rail for attaching the cover profile AP 2.2 mm thick

## Your advantages

- Large-surface labeling with AP-ES insert strips
- Cover profiles provide protection against unauthorized actuation of terminal strips

## Commercial Data

Item number	5022630
Packing unit	50 pc
Minimum order quantity	50 pc
Sales Key	BE6
Product Key	BE61ZX
Catalog Page	Page 548 (C-3-2019)
GTIN	4017918095239
Weight per Piece (including packing)	5.72 g
Weight per Piece (excluding packing)	5.72 g
Customs tariff number	85389099
Country of origin	DE

# AP 2-TU - Cover profile carrier

5022630

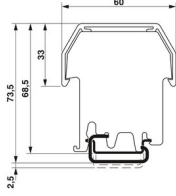
<https://www.phoenixcontact.com/in/products/5022630>

## Technical Data

### Product properties

Product type	Cover profile carrier
--------------	-----------------------

### Dimensions

Dimensional drawing	
Width	2.1 mm
Height	68.5 mm
Length	55.5 mm
Material strength	2.00 mm

### Material specifications

Color	gray
Material	PA
Flammability rating according to UL 94	V2

### Environmental and real-life conditions

#### Ambient conditions

Ambient temperature (operation)	-60 °C ... 105 °C (max. short-term operating temperature RTI Elec.)
Ambient temperature (storage/transport)	-25 °C ... 60 °C (for a short time, not exceeding 24 h, -60 °C to +70 °C)
Ambient temperature (assembly)	-5 °C ... 70 °C
Ambient temperature (actuation)	-5 °C ... 70 °C
Permissible humidity (storage/transport)	30 % ... 70 %

Phoenix Contact 2023 © - all rights reserved

<https://www.phoenixcontact.com>

PHOENIX CONTACT (I) Pvt. Ltd.

A-58/2, Okhla Industrial Area, Phase - II, New Delhi-110 020

+91.1275.71420

[info@phoenixcontact.co.in](mailto:info@phoenixcontact.co.in)