

URELG 4 - Basic terminal block



2820149

<https://www.phoenixcontact.com/in/products/2820149>

Please be informed that the data shown in this PDF document is generated from our Online Catalog. Please find the complete data in the user documentation. Our General Terms of Use for Downloads are valid.



Basic termination blocks with screw connection for NS 32 and NS 35/7.5 DIN rail, with end cover, for ST-REL..., ST-OV... and ST-OE... plugs, 4-pos.

Commercial Data

Item number	2820149
Packing unit	10 pc
Minimum order quantity	10 pc
Sales Key	CK6
Product Key	CK6113
Catalog Page	Page 95 (IF-2005)
GTIN	4017918076795
Weight per Piece (including packing)	43.9 g
Weight per Piece (excluding packing)	40.947 g
Customs tariff number	85369010
Country of origin	DE

URELG 4 - Basic terminal block

2820149

<https://www.phoenixcontact.com/in/products/2820149>

Technical Data

Product properties

Number of positions	4
---------------------	---

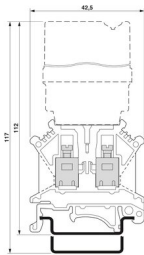
Electrical properties

Nominal voltage U_N	400 V (voltage is determined by the coupling connector.)
Nominal current I_N	16 A (current is determined by the coupling connector.)

Connection data

Connection method	Screw connection
Stripping length	9 mm
Screw thread	M3
Conductor cross section rigid	0.2 mm ² ... 4 mm ²
Conductor cross section flexible	0.2 mm ² ... 4 mm ²
Conductor cross section AWG	24 ... 12

Dimensions

Dimensional drawing	
Width	27 mm (with cover)
Height	42.5 mm
Depth	112 mm

Material specifications

Insulating material	PA
---------------------	----

Environmental and real-life conditions

Ambient conditions

Ambient temperature (operation)	-20 °C ... 50 °C
Ambient temperature (storage/transport)	-20 °C ... 70 °C

URELG 4 - Basic terminal block

2820149

<https://www.phoenixcontact.com/in/products/2820149>



Phoenix Contact 2023 © - all rights reserved

<https://www.phoenixcontact.com>

PHOENIX CONTACT (I) Pvt. Ltd.

A-58/2, Okhla Industrial Area, Phase - II, New Delhi-110 020

+91.1275.71420

info@phoenixcontact.co.in