

# UDK-RELG 3 - Basic terminal block



2777043

<https://www.phoenixcontact.com/in/products/2777043>

Please be informed that the data shown in this PDF document is generated from our Online Catalog. Please find the complete data in the user documentation. Our General Terms of Use for Downloads are valid.



Basic termination blocks with test connection on both sides and double connections with the same potential for NS 32 and NS 35/7.5 DIN rail, with end cover, for ST-REL..., ST-OV... and ST-OE... plugs, 3-pos.

## Commercial Data

Item number	2777043
Packing unit	10 pc
Minimum order quantity	10 pc
Sales Key	CK6
Product Key	CK6111
Catalog Page	Page 95 (IF-2005)
GTIN	4017918068639
Weight per Piece (including packing)	50.48 g
Weight per Piece (excluding packing)	47.268 g
Customs tariff number	85366990
Country of origin	TR

# UDK-RELG 3 - Basic terminal block

2777043

<https://www.phoenixcontact.com/in/products/2777043>

## Technical Data

### Product properties

Product type	Relay socket
Number of positions	3

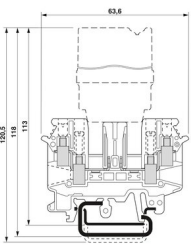
### Electrical properties

Nominal voltage $U_N$	400 V (voltage is determined by the coupling connector.)
Nominal current $I_N$	16 A (current is determined by the coupling connector.)

### Connection data

Connection method	Screw connection
Stripping length	7 mm
Screw thread	M3
Conductor cross section rigid	0.2 mm <sup>2</sup> ... 4 mm <sup>2</sup>
Conductor cross section flexible	0.2 mm <sup>2</sup> ... 4 mm <sup>2</sup>
Conductor cross section AWG	24 ... 12

### Dimensions

Dimensional drawing	
Width	20.8 mm (with cover)
Height	63.6 mm
Depth	113 mm

### Material specifications

Insulating material	PA
---------------------	----

### Environmental and real-life conditions

#### Ambient conditions

Ambient temperature (operation)	-20 °C ... 50 °C
Ambient temperature (storage/transport)	-20 °C ... 70 °C

# UDK-RELG 3 - Basic terminal block

2777043

<https://www.phoenixcontact.com/in/products/2777043>



Phoenix Contact 2023 © - all rights reserved

<https://www.phoenixcontact.com>

PHOENIX CONTACT (I) Pvt. Ltd.

A-58/2, Okhla Industrial Area, Phase - II, New Delhi-110 020

+91.1275.71420

[info@phoenixcontact.co.in](mailto:info@phoenixcontact.co.in)