

EG 45-A/ABS GN - Upper part of housing

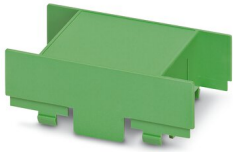


2764179

<https://www.phoenixcontact.com/in/products/2764179>

Please be informed that the data shown in this PDF document is generated from our Online Catalog. Please find the complete data in the user documentation. Our General Terms of Use for Downloads are valid.

Component housing, Cover, for two-sided connection, width: 45 mm, height: 75 mm, color: green (6021)



Your advantages

- Tool-free mounting

Commercial Data

Item number	2764179
Packing unit	20 pc
Minimum order quantity	20 pc
Sales Key	ACH
Product Key	ACHCGA
Catalog Page	Page 719 (C-1-2013)
GTIN	4017918065881
Weight per Piece (including packing)	14.4 g
Weight per Piece (excluding packing)	10.96 g
Customs tariff number	85389099
Country of origin	PL

2764179

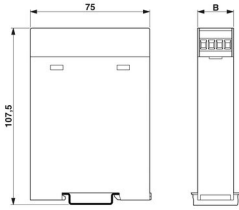
<https://www.phoenixcontact.com/in/products/2764179>

Technical Data

Product properties

Product type	Upper housing part
Product family	EG
Number of positions	16
Type	Cover, for two-sided connection
Housing type	Component housing
Ventilation openings present	no
Housing series	EG

Dimensions

Dimensional drawing	
Width	45 mm
Height	75 mm

PCB design

PCB thickness	1.4 mm ... 1.8 mm
---------------	-------------------

Material specifications

Color	green (6021)
Flammability rating according to UL 94	HB
Surface characteristics	untreated
Housing material	ABS

Environmental and real-life conditions

Ambient conditions

Degree of protection	IP20
Max. IP code to attain	IP20
Ambient temperature (operation)	-40 °C ... 80 °C (depending on power dissipation)
Ambient temperature (storage/transport)	-40 °C ... 55 °C
Ambient temperature (assembly)	-5 °C ... 80 °C

PCB data

Thickness of the PCB	1.4 mm ... 1.8 mm
----------------------	-------------------

Mounting

Mounting type	Snap in
---------------	---------

EG 45-A/ABS GN - Upper part of housing



2764179

<https://www.phoenixcontact.com/in/products/2764179>

Mounting position

Vertical (horizontal DIN rail)

Phoenix Contact 2023 © - all rights reserved

<https://www.phoenixcontact.com>

PHOENIX CONTACT (I) Pvt. Ltd.

A-58/2, Okhla Industrial Area, Phase - II, New Delhi-110 020

+91.1275.71420

info@phoenixcontact.co.in