

EG 45-GP/ABS GN - Mounting base housing



2764153

<https://www.phoenixcontact.com/in/products/2764153>

Please be informed that the data shown in this PDF document is generated from our Online Catalog. Please find the complete data in the user documentation. Our General Terms of Use for Downloads are valid.



Component housing, Lower housing part, with snap-on foot and test opening with side cover, without vents, width: 45 mm, height: 75 mm, color: green (6021), cross connection: without bus connector, number of positions cross connector: not relevant

Your advantages

- Tool-free mounting

Commercial Data

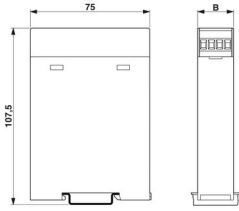
Item number	2764153
Packing unit	10 pc
Minimum order quantity	10 pc
Sales Key	ACH
Product Key	ACHCGA
Catalog Page	Page 719 (C-1-2013)
GTIN	4017918065867
Weight per Piece (including packing)	53.6 g
Weight per Piece (excluding packing)	53.6 g
Customs tariff number	85389099
Country of origin	PL

Technical Data

Product properties

Type	Lower housing parts with test opening with side cover, housing cover necessary to complete the module
Product type	Enclosure bottom part
Product family	EG
Number of positions	16
Type	Lower housing part, with snap-on foot and test opening with side cover
Housing type	Component housing
Ventilation openings present	no
Housing series	EG

Dimensions

Dimensional drawing	
Width	45 mm
Height	75 mm

PCB design

PCB thickness	1.4 mm ... 1.8 mm
---------------	-------------------

Material specifications

Color	green (6021)
Flammability rating according to UL 94	HB
Surface characteristics	untreated
Housing material	ABS

Environmental and real-life conditions

Ambient conditions

Degree of protection	IP20
Max. IP code to attain	IP20
Ambient temperature (operation)	-40 °C ... 80 °C (depending on power dissipation)
Ambient temperature (storage/transport)	-40 °C ... 55 °C
Ambient temperature (assembly)	-5 °C ... 80 °C

PCB data

Thickness of the PCB	1.4 mm ... 1.8 mm
----------------------	-------------------

EG 45-GP/ABS GN - Mounting base housing



2764153

<https://www.phoenixcontact.com/in/products/2764153>

Mounting

Mounting type	DIN rail mounting
Mounting position	Vertical (horizontal DIN rail)

Phoenix Contact 2023 © - all rights reserved

<https://www.phoenixcontact.com>

PHOENIX CONTACT (I) Pvt. Ltd.

A-58/2, Okhla Industrial Area, Phase - II, New Delhi-110 020

+91.1275.71420

info@phoenixcontact.co.in