

HC-B 6-ADP/1 DSUB 9 - Adapter plate



1775457

<https://www.phoenixcontact.com/in/products/1775457>

Please be informed that the data shown in this PDF document is generated from our Online Catalog. Please find the complete data in the user documentation. Our General Terms of Use for Downloads are valid.

D-SUB adapter plate, for one D-SUB connector, no. of positions 9, housing series HC-B 6...



Commercial Data

Item number	1775457
Packing unit	2 pc
Minimum order quantity	2 pc
Sales Key	BF7
Product Key	BF7AZD
Catalog Page	Page 665 (C-2-2019)
GTIN	4017918038052
Weight per Piece (including packing)	14.95 g
Weight per Piece (excluding packing)	13.5 g
Customs tariff number	39269097
Country of origin	DE

HC-B 6-ADP/1 DSUB 9 - Adapter plate



1775457

<https://www.phoenixcontact.com/in/products/1775457>

Technical Data

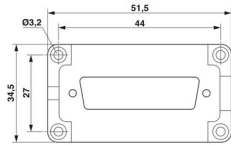
Notes

General	For housing HC-B6
---------	-------------------

Product properties

Type	B6
Product type	Adapter plate
Number of positions	9
Seal present	no

Dimensions

Dimensional drawing	
Width	34.5 mm
Height	10 mm
Length	51.5 mm

Material specifications

Color	gray
Flammability rating according to UL 94	HB

Environmental and real-life conditions

Ambient conditions

Ambient temperature (operation)	-20 °C ... 100 °C
---------------------------------	-------------------

Mounting

Assembly instructions	Mounting position of the adapter plate in the sleeve housing: T is visible after mounting in the housing. Mounting position of the adapter plate in the panel mounting base/socket housing/coupling housing: A is visible after mounting in the housing. Mounting position of the D-SUB (after mounting in the housing): in front of the mounting plate (front mounting)
-----------------------	--

Phoenix Contact 2023 © - all rights reserved

<https://www.phoenixcontact.com>

PHOENIX CONTACT (I) Pvt. Ltd.

A-58/2, Okhla Industrial Area, Phase - II, New Delhi-110 020

+91.1275.71420

info@phoenixcontact.co.in