

AB/NS - Support bracket

1201141

<https://www.phoenixcontact.com/in/products/1201141>

Please be informed that the data shown in this PDF document is generated from our Online Catalog. Please find the complete data in the user documentation. Our General Terms of Use for Downloads are valid.

Support bracket, for insulated mounting of DIN rails in insulated systems, plastic, 21 mm high



Commercial Data

Item number	1201141
Packing unit	10 pc
Minimum order quantity	10 pc
Sales Key	BE7
Product Key	BE7113
Catalog Page	Page 545 (C-3-2019)
GTIN	4017918017248
Weight per Piece (including packing)	17.27 g
Weight per Piece (excluding packing)	17.16 g
Customs tariff number	39269097
Country of origin	DE

AB/NS - Support bracket

1201141

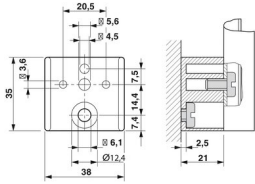
<https://www.phoenixcontact.com/in/products/1201141>

Technical Data

Product properties

Product type	Support
--------------	---------

Dimensions

Dimensional drawing	
Width	38 mm
Height	21 mm
Length	35 mm
Diameter	7.2 mm

Material specifications

Color	gray
Material	PA
Flammability rating according to UL 94	V2
Coating	uncoated

Environmental and real-life conditions

Ambient conditions

Ambient temperature (operation)	-60 °C ... 105 °C (max. short-term operating temperature RTI Elec.)
Ambient temperature (storage/transport)	-25 °C ... 60 °C (for a short time, not exceeding 24 h, -60 °C to +70 °C)
Ambient temperature (assembly)	-5 °C ... 70 °C
Ambient temperature (actuation)	-5 °C ... 70 °C
Permissible humidity (storage/transport)	30 % ... 70 %

Mounting

Mounting type	Direct mounting
---------------	-----------------

Phoenix Contact 2023 © - all rights reserved
<https://www.phoenixcontact.com>

PHOENIX CONTACT (I) Pvt. Ltd.
A-58/2, Okhla Industrial Area, Phase - II, New Delhi-110 020

+91.1275.71420
info@phoenixcontact.co.in