

TCP 8A - Thermal device circuit breaker



0712291

<https://www.phoenixcontact.com/in/products/0712291>

Please be informed that the data shown in this PDF document is generated from our Online Catalog. Please find the complete data in the user documentation. Our General Terms of Use for Downloads are valid.



Thermal miniature circuit breaker, pluggable in screw-type fuse terminal block UK 6-FSI/C and spring-cage fuse terminal block ST 4-FSI/C

Your advantages

- Fast, replacement part-free recommissioning after an event with the reconnection options
- Easy to retrofit in existing systems with vehicle flat-type fuses with identical pin connector pattern
- System disconnection for maintenance actions via the integrated device switch

Commercial Data

Item number	0712291
Packing unit	20 pc
Minimum order quantity	1 pc
Sales Key	CLA
Product Key	CLA111
Catalog Page	Page 401 (C-4-2019)
GTIN	4017918848408
Weight per Piece (including packing)	10.975 g
Weight per Piece (excluding packing)	10.975 g
Customs tariff number	85362010
Country of origin	ID

TCP 8A - Thermal device circuit breaker



0712291

<https://www.phoenixcontact.com/in/products/0712291>

Technical Data

Notes

General	When mounted in rows, the nominal device current can be limited to just 80% or must be overdimensioned accordingly.
---------	---

Product properties

Type	Male
Product type	Thermal device circuit breakers
Number of positions	1
No. of channels	1

Insulation characteristics

Overvoltage category	II
Degree of pollution	2

Electrical properties

No. of channels	1
Fuse type	Automatic device
Fuse	Slow-blow

General

Rated voltage	250 V AC
	65 V DC
	250 V AC (AC according to UL 1077)
	72 V DC (DC according to UL 1077)
Rated current I_N	8 A
Rated surge voltage	2.5 kV
Insulation resistance R_{ISO}	> 100 M Ω (500 V DC)
Tripping method	T (thermal)
Device resistance	0.05 Ω
Rated short-circuit switching capacity I_{cn}	64 A (250 V AC / 65 V DC)
	160 A (30 V DC)
Short-circuit switching capacity	2000 A (250 V AC / UL 1077)
	2000 A (72 V DC / UL 1077)
Dielectric strength	3000 V AC (Actuation area)
	1500 V AC (Installation area)
Switching cycles, max.	6000 (At 1 x I_n , low-induction)
	3000 (At 1 x I_n , inductive)
	500 (At 2 x I_n , inductive)

Connection data

Nominal current	8 A
Nominal voltage	250 V AC
	65 V DC

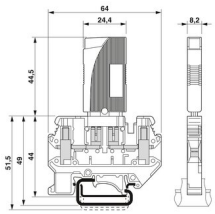
TCP 8A - Thermal device circuit breaker

0712291

<https://www.phoenixcontact.com/in/products/0712291>

Connection method	pluggable
-------------------	-----------

Dimensions

Dimensional drawing	
Width	8.2 mm
Height	24.4 mm
Height NS 35/7,5	55 mm
Depth	44.5 mm

Material specifications

Flammability rating according to UL 94	V0
Insulating material group	IIIb
Insulating material	PPS

Mechanical properties

Mechanical data	
Open side panel	No

Environmental and real-life conditions

Ambient conditions	
Degree of protection	IP40 (Actuation area)
Ambient temperature (operation)	-20 °C ... 60 °C
Altitude	4000 m
Humidity test	240 h, 95 % RH, 40 °C

Standards and regulations

Standards/specifications	EN 60934
--------------------------	----------

Mounting

Mounting type	on base element
---------------	-----------------