

# AK 35 - Connection terminal block



0404046

<https://www.phoenixcontact.com/ca/products/0404046>

Please be informed that the data shown in this PDF document is generated from our Online Catalog. Please find the complete data in the user documentation. Our General Terms of Use for Downloads are valid.



Connection terminal block, connection method: Screw connection, Rated cross section: 35 mm<sup>2</sup>, cross section: 2.5 mm<sup>2</sup> - 35 mm<sup>2</sup>, mounting: Neutral busbar, color: silver

## Commercial Data

Item number	0404046
Packing unit	50 pc
Minimum order quantity	50 pc
Sales Key	B14
Product Key	BE7331
Catalog Page	Page 555 (C-3-2019)
GTIN	4017918001865
Weight per Piece (including packing)	18.02 g
Weight per Piece (excluding packing)	17.75 g
Customs tariff number	85369010
Country of origin	PL

# AK 35 - Connection terminal block

0404046

<https://www.phoenixcontact.com/ca/products/0404046>

## Technical Data

### Product properties

Product type	Pick-off terminal
Number of connections	1
Number of rows	1

### Electrical properties

Maximum power dissipation for nominal condition	4.06 W
Nominal current $I_N$	125 A
Current carrying capacity of the neutral busbar	140 A

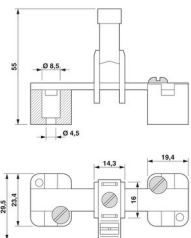
### Connection data

Nominal cross section	35 mm <sup>2</sup>
-----------------------	--------------------

#### Level 1 above 1 below 1

Screw thread	M6
Tightening torque	3.2 ... 3.7 Nm
Stripping length	16 mm
Connection in acc. with standard	IEC / EN
Conductor cross section rigid	2.5 mm <sup>2</sup> ... 35 mm <sup>2</sup>
Cross section AWG	14 ... 2 (converted acc. to IEC)
Conductor cross section flexible	2.5 mm <sup>2</sup> ... 35 mm <sup>2</sup>
Conductor cross section, flexible [AWG]	14 ... 2 (converted acc. to IEC)
2 conductors with same cross section, solid	1.5 mm <sup>2</sup> ... 16 mm <sup>2</sup>
2 conductors with same cross section, flexible	1.5 mm <sup>2</sup> ... 16 mm <sup>2</sup>
Maximum load current	125 A (with 35 mm <sup>2</sup> conductor cross section)
Nominal cross section	35 mm <sup>2</sup>

### Dimensions

Dimensional drawing	
Width	14.3 mm
Height	43 mm
Length	26 mm

### Material specifications

Color	silver
-------	--------

# AK 35 - Connection terminal block



0404046

<https://www.phoenixcontact.com/ca/products/0404046>

Flammability rating according to UL 94	V2
--	----

## Standards and regulations

Connection in acc. with standard	IEC / EN
----------------------------------	----------

## Mounting

Mounting type	Neutral busbar
---------------	----------------

Phoenix Contact 2023 © - all rights reserved

<https://www.phoenixcontact.com>

PHOENIX CONTACT Ltd  
8240 Parkhill Drive  
Milton, Ontario L9T 5V7  
1-800-890-2820  
[cdinfo@phoenixcontact.ca](mailto:cdinfo@phoenixcontact.ca)