



Emergency switching-off handle latching, unlatch by rotating, for enclosure 3RV1913

| | | |
|---|----------------------------------|--------------------------|
| product designation | EMERGENCY OFF mushroom | |
| General technical data | | |
| product function EMERGENCY OFF function | Yes | |
| protection class IP of the enclosure | IP55 | |
| Substance Prohibittance (Date) | 07/01/2006 | |
| Installation/ mounting/ dimensions | | |
| depth | 64 mm | |
| Approvals Certificates | | |
| General Product Approval | Declaration of Conformity | Marine / Shipping |

[Confirmation](#)



EG-Konf.



ABS



BUREAU VERITAS



PRS

| | |
|--------------------------|--------------|
| Marine / Shipping | other |
|--------------------------|--------------|



RMRS

[Confirmation](#)



VDE

Further information

Siemens has decided to exit the Russian market (see here).
<https://press.siemens.com/global/en/pressrelease/siemens-wind-down-russian-business>

Siemens is working on the renewal of the current EAC certificates.
 Please contact your local Siemens office on the status of validity of the EAC certification if you intend to import or offer to supply these products to an EAC relevant market (other than the sanctioned EAEU member states Russia or Belarus).

Information on the packaging
<https://support.industry.siemens.com/cs/ww/en/view/109813875>

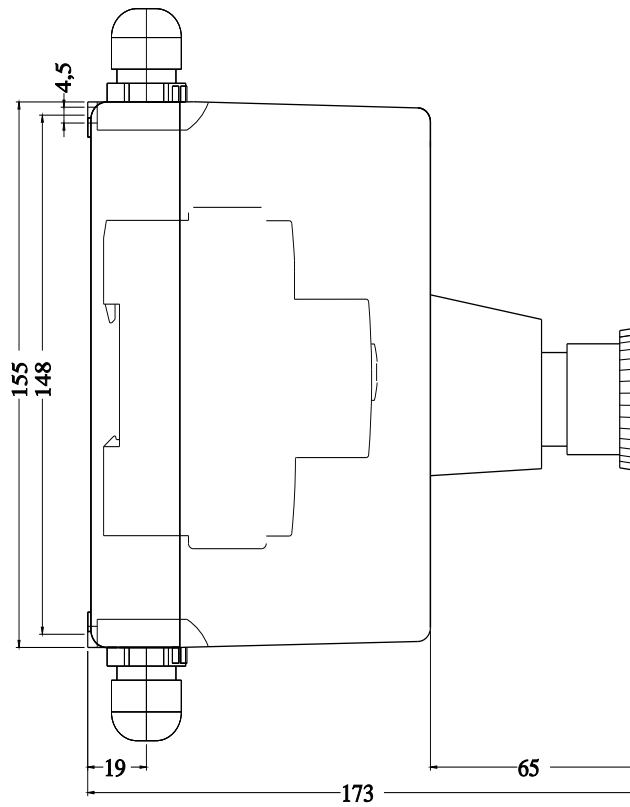
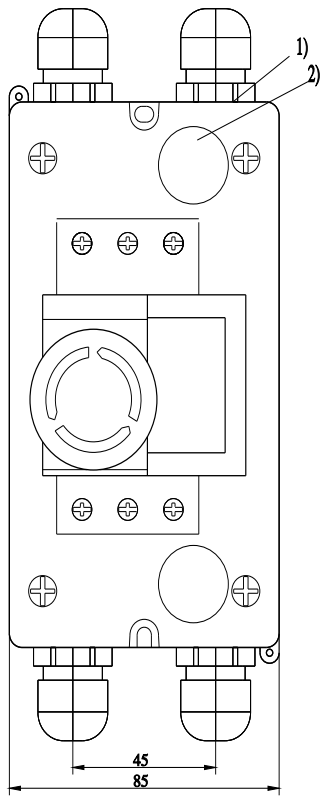
Information- and Downloadcenter (Catalogs, Brochures,...)
<https://www.siemens.com/ic10>

Industry Mall (Online ordering system)
<https://mall.industry.siemens.com/mall/en/en/Catalog/product?mlfb=3RV1913-7D>

Cax online generator
<http://support.automation.siemens.com/WWW/CAXorder/default.aspx?lang=en&mlfb=3RV1913-7D>

Service&Support (Manuals, Certificates, Characteristics, FAQs,...)
<https://support.industry.siemens.com/cs/ww/en/ps/3RV1913-7D>

Image database (product images, 2D dimension drawings, 3D models, device circuit diagrams, EPLAN macros, ...)
http://www.automation.siemens.com/bilddb/cax_de.aspx?mlfb=3RV1913-7D&lang=en



- 1) Ausbrechöffnung fuer Verschraubung M25
- 2) Ausbrechöffnung fuer rechteckige Leitungseinfuehrung

last modified:

12/21/2020 