



Busbar system, accessories Connecting terminal 95...185mm² Rail section 20, 25, 30 x 5, 10mm and for TT-profile

Model		
product brand name	SENTRON	
product designation	Connecting terminal	
design of the product	Accessories	
Supply voltage		
operating voltage at AC rated value	690 V	
suitability for use	for busbars 20, 25, 30 x 5, 10 mm and mounting rails	
according UL		
operational current according to UL 508 rated value	310 A	
Connections		
installation or assembly note	Suitable for aluminum conductors. For use of aluminum conductors, follow the maintenance instructions.	
type of connectable conductor cross-sections at AWG cables	AWG 3/0 - MCM 350	
type of connectable conductor cross-sections for aluminum conductor	Al 95 - 185 mm ² circular conductor, stranded and sector-shaped conductor, stranded Al 95 - 185 mm ² circular conductor, stranded and sector-shaped conductor, stranded	
<ul style="list-style-type: none"> • solid • stranded 		
type of connectable conductor cross-sections for copper conductor stranded	95 to 185 mm ² circular conductor, sector-shaped conductor, stranded	
Mechanical Design		
height	51 mm	
width	38 mm	
depth	70 mm	
net weight	307 g	
General Product Approval		Declaration of Conformity



[Confirmation](#)



EG-Konf.

Declaration of Conformity	Test Certificates	Marine / Shipping	other
---------------------------	-------------------	-------------------	-------



[Special Test Certificate](#)

[Miscellaneous](#)



[Confirmation](#)

[Miscellaneous](#)[Environmental Con-
firmations](#)**Further information**

Siemens has decided to exit the Russian market (see here).

<https://press.siemens.com/global/en/pressrelease/siemens-wind-down-russian-business>

Siemens is working on the renewal of the current EAC certificates.

Please contact your local Siemens office on the status of validity of the EAC certification if you intend to import or offer to supply these products to an EAC relevant market (other than the sanctioned EAEU member states Russia or Belarus).

Information on the packaging

<https://support.industry.siemens.com/cs/ww/en/view/109813875>

Information- and Downloadcenter (Catalogs, Brochures,...)

<http://www.siemens.com/lowvoltage/catalogs>

Industry Mall (Online ordering system)

<https://mall.industry.siemens.com/mall/en/en/Catalog/product?mlfb=8US1941-2AA01>

Service&Support (Manuals, Certificates, Characteristics, FAQs,...)

<https://support.industry.siemens.com/cs/ww/en/ps/8US1941-2AA01>

Image database (product images, 2D dimension drawings, 3D models, device circuit diagrams, ...)

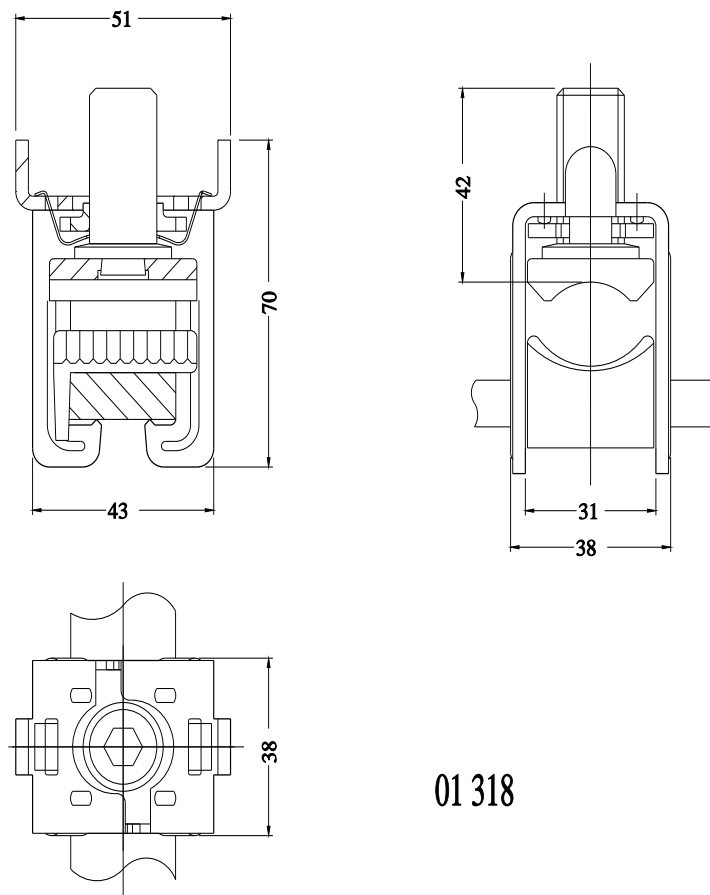
http://www.automation.siemens.com/bilddb/cax_en.aspx?mlfb=8US1941-2AA01

CAx-Online-Generator

<http://www.siemens.com/cax>

Tender specifications

<http://www.siemens.com/specifications>



last modified:

7/28/2022

