



Pigtail



Plug-on Neutral

PIGTAIL AND PLUG-ON NEUTRAL

Tandem Combination Type Arc-Fault Circuit Interrupters (CAFCI)

www.siemens.com/residential-TwinAFCI-circuit-breakers

Siemens Tandem AFCI breakers offer a new technology to feed two separate circuits from one breaker position – saving both space in the load center and time in implementation. This is ideal for new construction or renovations and is available in either Plug-on Neutral or Pigtail versions.

Siemens CAFCI Plug-on breakers now have a single load lug(s) only. Wiring made easier with the neutral lug removed. These breakers can be installed in the same manner as the thermal magnetic breakers. This allows the installer to land ground and neutral conductors in the load center before installing the breaker and load conductor.

Tandem AFCI breakers without the rejection feature can be installed in any panel that lists that breaker type or where a substitution letter exists for that breaker type. The schematic, located on the wiring diagram, will indicate the positions where these breakers can be placed by showing two circuits per space. The total circuits listed for panel should not be exceeded.

Catalog Number	Ampere Rating	Interrupting Rating	UL Type	Connection Type
Q1515AFCCSA	15/15	10kA	QTA	Pigtail
Q2020AFCCSA	20/20	10kA	QTA	Pigtail
Q1515AFCNCSA	15/15	10kA	QTAN	Plug-on Neutral
Q2020AFCNCSA	20/20	10kA	QTAN	Plug-on Neutral

Features

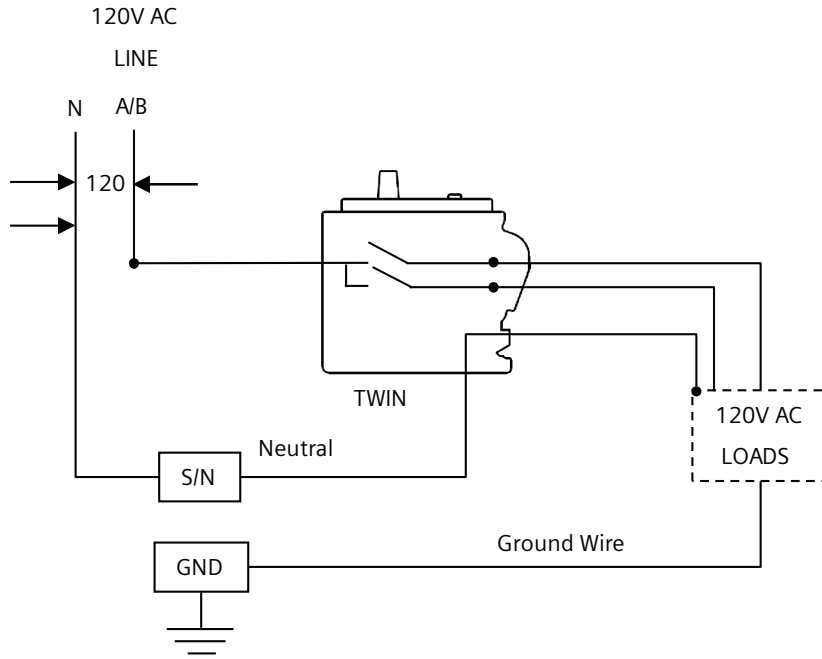
- One breaker feeds two circuits to save on space and time
- Installed indicator flags disappear when the load wires are inserted correctly
- Load Lug(s) only
- Available in pigtail and Plug-on neutral types
- Trusted Plug-on Neutral connection
- LED indicators for troubleshooting
- Insta-wire connectors

Technical Data

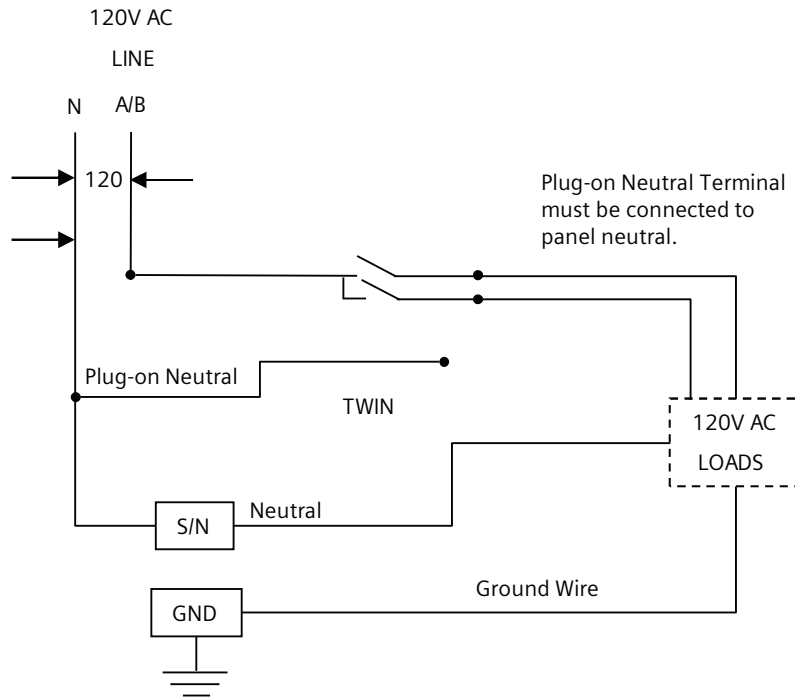
- 10,000 AIC
- 120V
- cUL Listed

Wiring Diagrams

Pigtail

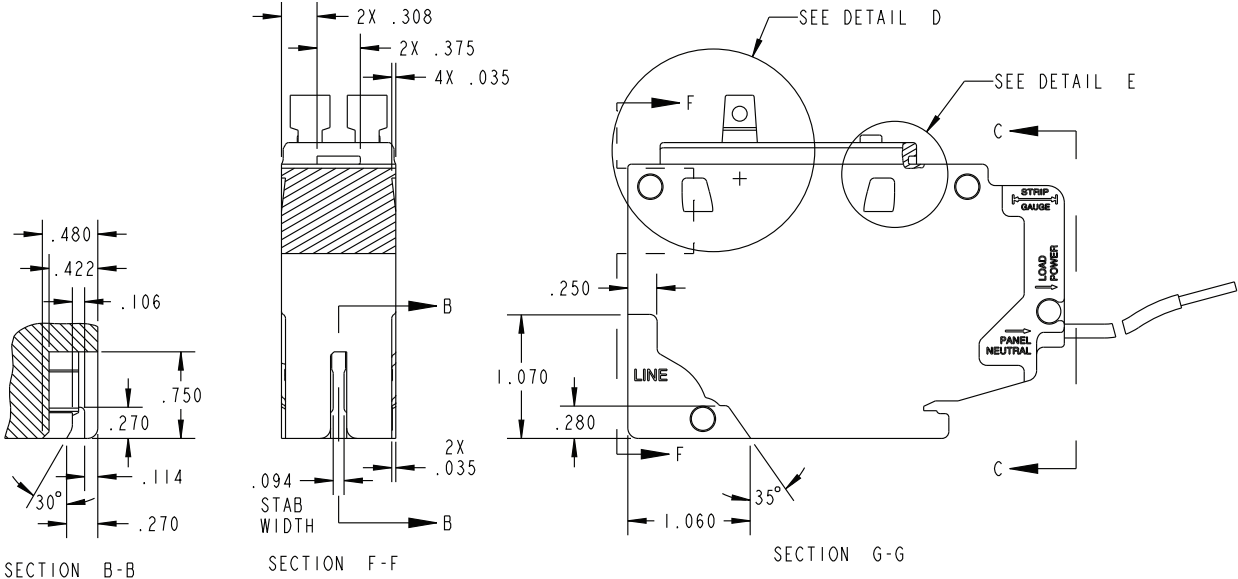


Plug-on Neutral

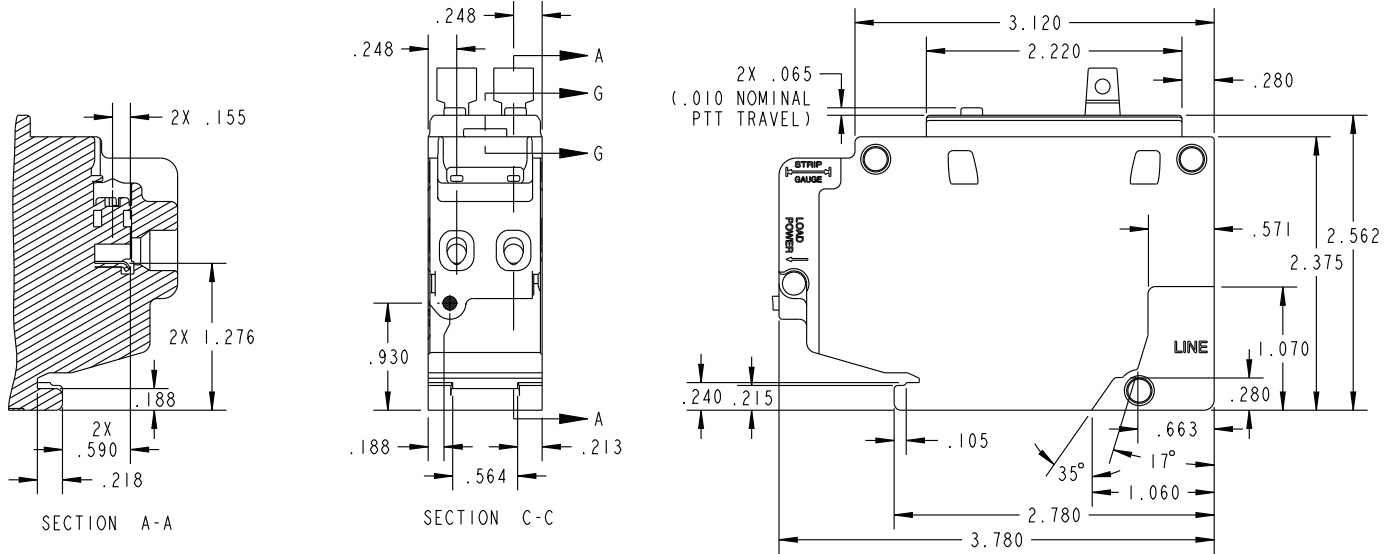


Dimension Diagrams

Pigtail



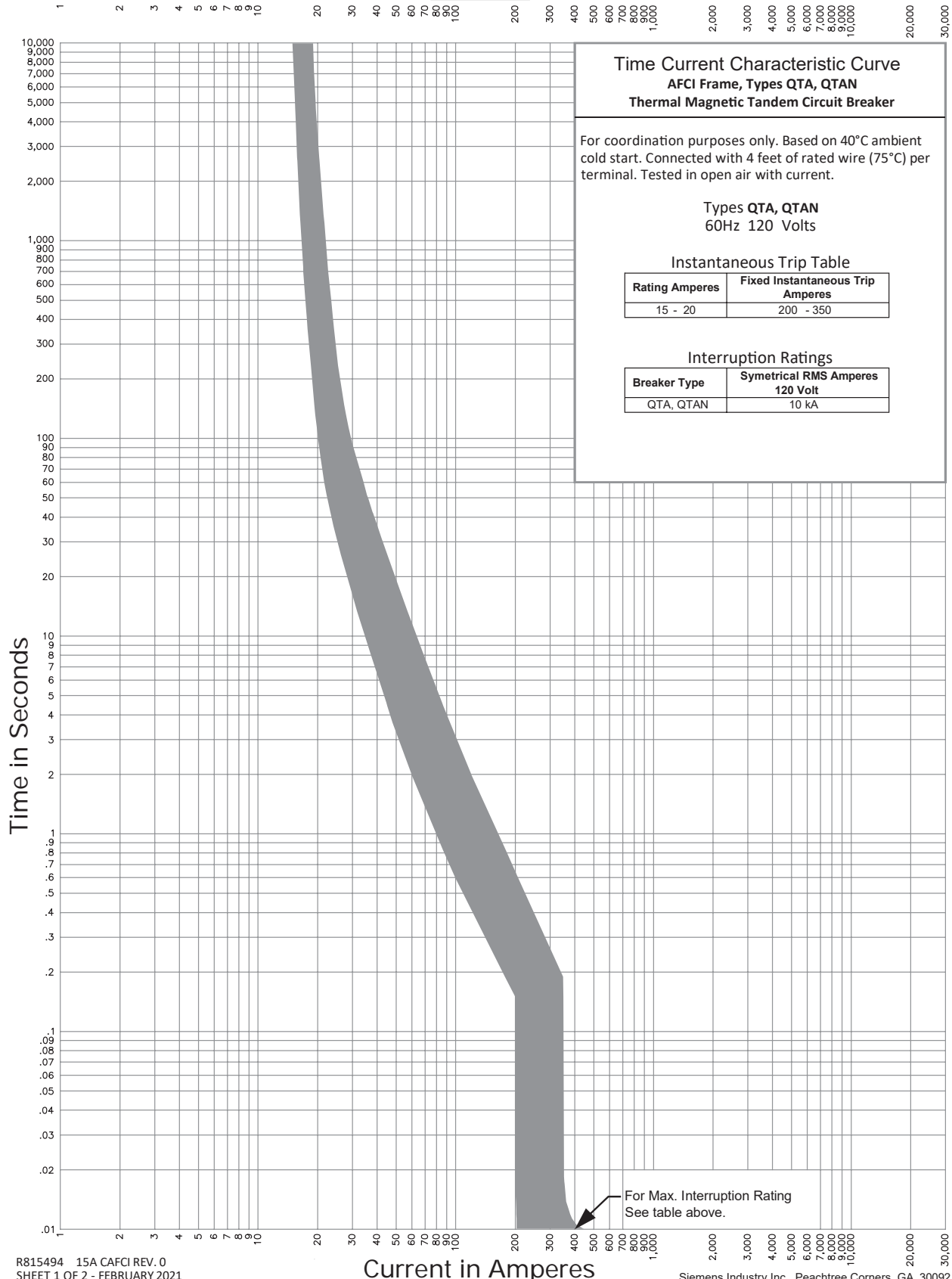
Plug-on Neutral



Time Current Characteristic Curve – 15A

SIEMENS

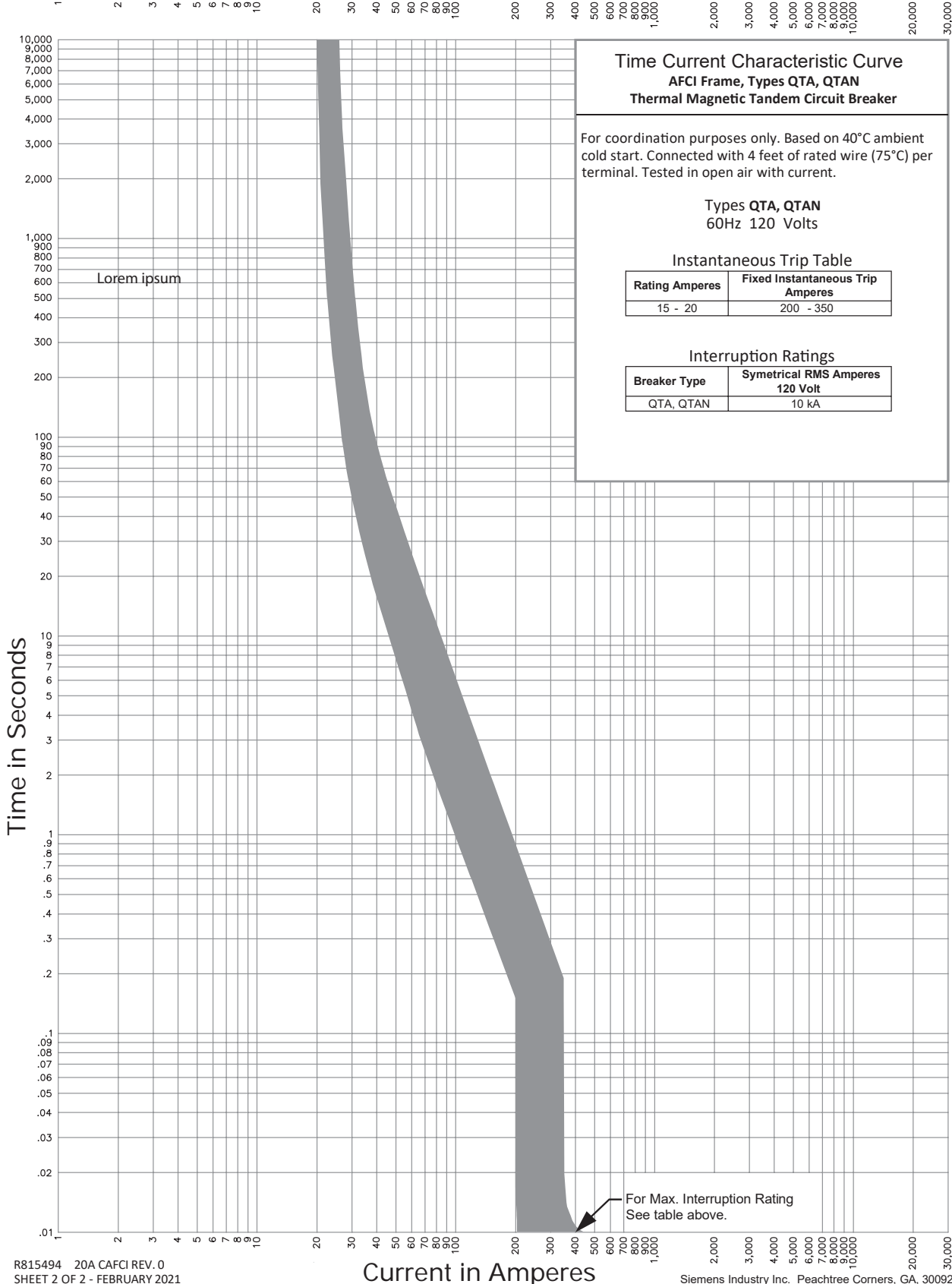
15 A



Time Current Characteristic Curve – 20A

SIEMENS

20 A



**Published by
Siemens Canada Limited 2023**

Siemens Canada Limited
1577 North Service Road East
Oakville, ON L6H 0H6

Customer Interaction Centre: 1-888-303-3353
cic.ca@siemens.com

Printed in Canada
Order No.:
All Rights Reserved
© 2023, Siemens Canada Limited

This document contains a general description of available technical options only, and its effectiveness will be subject to specific variables including field conditions and project parameters. Siemens does not make representations, warranties, or assurances as to the accuracy or completeness of the content contained herein. Siemens reserves the right to modify the technology and product specifications in its sole discretion without advance notice.