

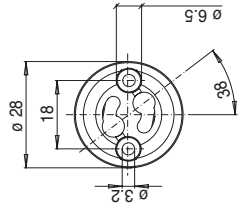
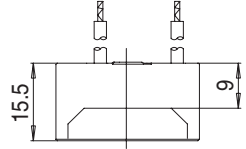



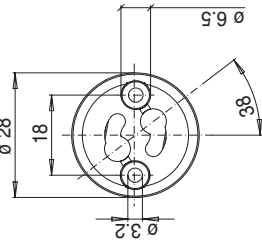
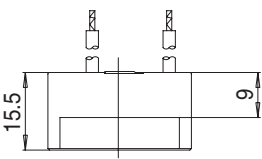


GU-10, GZ-10 BASE / LAMPHOLDER ACCESSORIES


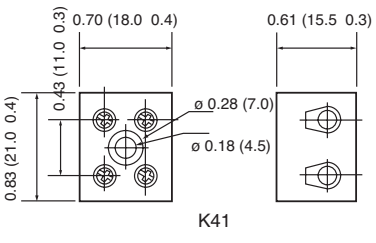
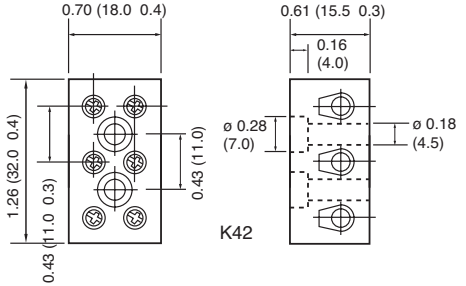
DF-01 GU-10 Base (TAL) Lampholder DF-01-30SEW

 <p>GU-10</p>	<ul style="list-style-type: none"> - High heat Steatite body - Brass contacts - Two hole mounting through lampholder body into panel - Comes with standard 30" SEW-1 200°C leads <ul style="list-style-type: none"> - Other wire and terminations are available upon request, contact the factory - Available with 1/8" IPS hickey, add suffix "H" to part number - Rated 1000W at 250V - cULus Listed
  	

DF-05 GU-10 / GZ-10 Base (TAL) Lampholder

 <p>GU-10</p>  <p>GZ-10</p>	<ul style="list-style-type: none"> - High heat Steatite body - Brass contacts - Two hole mounting through lampholder body into panel - Comes with standard 30" SEW-1 200°C leads <ul style="list-style-type: none"> - Other wire and terminations are available upon request, contact the factory - Available with 1/8" IPS hickey, add suffix "H" to part number - Rated 1000W at 250V - cULus Listed
  	

K41 2 Pole Porcelain Terminal Block

<ul style="list-style-type: none"> - Unglazed high heat Steatite body - Nickel-plated brass terminals - M3 slotted terminal screws 	<ul style="list-style-type: none"> - Mount using #8-32 screws - 20-14 AWG wire range - cULus Listed
  	

FOR MORE INFORMATION PLEASE CALL 1-800-661-9610 (HEAD OFFICE) 1-888-762-5384 (USA)

PLEASE CONSULT THE FACTORY FOR MORE PRODUCTS AND CUSTOMIZATION.
PRODUCT DETAILS AND SPECIFICATIONS ARE SUBJECT TO CHANGE WITHOUT NOTICE.