

Project: \_\_\_\_\_ Type: \_\_\_\_\_

Drawn by: \_\_\_\_\_ Catalogue #: \_\_\_\_\_ Date: \_\_\_\_\_

## Individual Spec Sheet

# VIVIO

## 4" LED DOWNLIGHT WITH DUAL INSTALLATION

### ORDERING INFORMATION

**Order code:** 68031  
**Model number:** VDL4R-08A/5C  
**UPC:** 69549013650  
**Case quantity:** 24

### PHYSICAL DATA

**Size in. (cm):** 4" (10.16)  
**Shape:** Round  
**Finish:** White  
**Lens type:** Frosted Glass

### PERFORMANCE DATA

**Watts (W):** 8  
**Volts (VAC):** 120  
**Colour temperature (K)<sup>1</sup>:** 2 700/3 000/3 500/4 000/5 000  
**Lumen output (lm)<sup>2</sup>:** 650  
**Lumen per Watts (lm/W):** 81  
**CRI:** 80  
**Life L70 (h)<sup>3</sup>:** 50 000  
**Beam angle (°):** 110  
**Environment:** Wet location  
**THD (%):** 20  
**Power factor:** >0.9  
**Frequency (Hz):** 50/60  
**Operating temp. range:** -20 °C to 40 °C (-4 °F to 104 °F)  
**Dimmable:** Yes

<sup>1</sup> Typical colour temperature range: +/- 5 %

<sup>2</sup> Lumen values are derived from Energy Star reported data. Initial lumens range: +/- 10 %.

<sup>3</sup> Life hours are derived from IESNA LM80-08 testing report and projected per IESNA TM-21-11 extrapolations

### COMPATIBLE ACCESSORY

Order code	Model number	Type
68032	VDL4R-TRIMBK	Magnetic trim



2 700/3 000/3 500/4 000/5 000 K



quick ship



LED fixture



dimmable fixture



airtight



wet location



IC rated



ICES 005



This lighting equipment complies with Canadian standard ICES-005 for use in residential applications. Data is based upon tests performed in a controlled environment. Actual performance can vary depending on operating conditions. Specifications are subject to change without notice.

**LUMEN SPECIFICATION TABLE**

Order code	Model number	Watts (W)	2 700 K		3 000 K		3 500 K		4 000 K		5 000 K	
			Lumen output (lm)	Efficacy (lm/W)	Lumen output (lm)	Efficacy (lm/W)	Lumen output (lm)	Efficacy (lm/W)	Lumen output (lm)	Efficacy (lm/W)	Lumen output (lm)	Efficacy (lm/W)
68031	VDL4R-08A/5C	8	653	82	615	77	653	82	674	84	665	83

**DEFAULT PROGRAMMING**  
2 700K

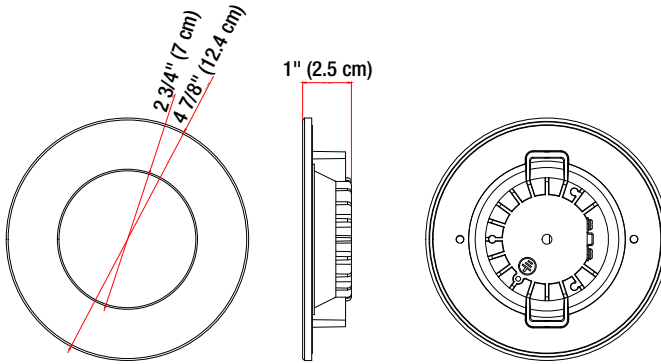
**COMPATIBLE DIMMERS<sup>1</sup>**

Brand	Model
Cooper	AAL06, SLC03P
Leviton	6615, IPL06, 6674, DSL06-1LZ, DSM10-1LZ, IPE04-1LZ, DDMX1
Lutron	RRD-6NA, PD-5NE, DVCL-153P, CTCL-153P, DVCL-253P, AYCL-253P, DVRP-253P, SELV-300P, MACL-153P

**Dimming range: 10%-100%**

<sup>1</sup>This table shows dimmers that have been tested and have demonstrated proper operation under normal conditions. Each installation being unique, various factors such as load, common neutrals or other electrical products on the circuit can, in certain instances, cause variance in system performance. Read and comply to the dimmer installation instructions. Consult dimming system manufacturer for additional support in operation. Some dimmers may require more than one product for stable operation. Stanpro recommends to use dimmers designed to work with LED products. Older dimmers designed for incandescent products may cause erratic operation.

**DIMENSIONS AND WEIGHTS**

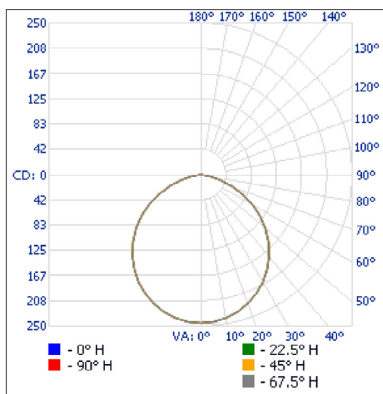


Net weight (lbs)	0.75
------------------	------

**PHOTOMETRIC DATA<sup>1</sup>**

68031 • VDL4R-08A/5C • 2 700 K • 653.4 lm

**Polar candela distribution**



**Zonal lumen summary**

Zone	Lumens	% Fixture
0-30	189.1	28.9%
0-40	308.3	47.2%
0-60	536.6	82.1%
60-90	116.8	17.9%
0-90	653.4	100%

**Illuminance at a distance**

Center beam fc		Beam width	
1.7'	84.8	4.7'	4.7'
3.3'	22.5	9.2'	9.2'
5.0'	9.81	13.9'	13.9'
6.7'	5.46	18.6'	18.6'
8.3'	3.56	23.1'	23.0'
10.0'	2.45	27.8'	27.7'

■ Vert. spread: 108.6°  
■ Horiz. spread: 108.4°

<sup>1</sup> Complete IES files available on our website.

Qty	Description	Price

I accept the specifications of the luminaire configuration mentioned above.

Name: \_\_\_\_\_  
 Company: \_\_\_\_\_  
 Signature: \_\_\_\_\_

Date: \_\_\_\_\_

Data is based upon tests performed in a controlled environment. Actual performance can vary depending on operating conditions. All products are subject to change or may be discontinued any time without notice.