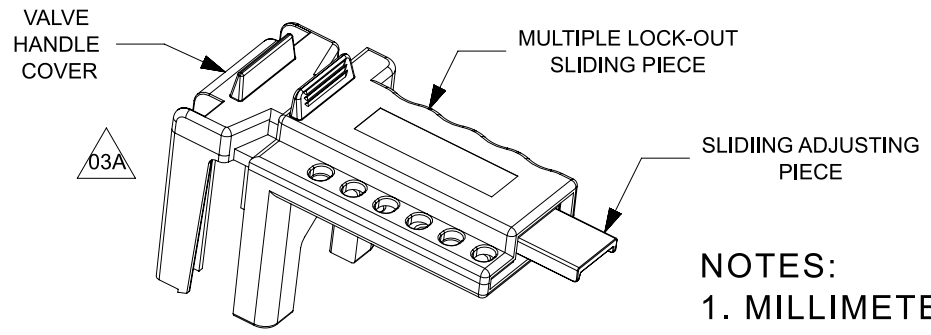
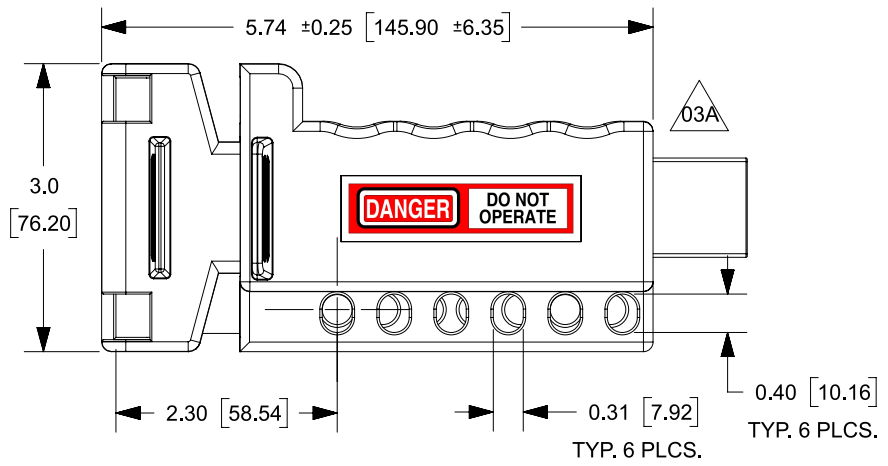
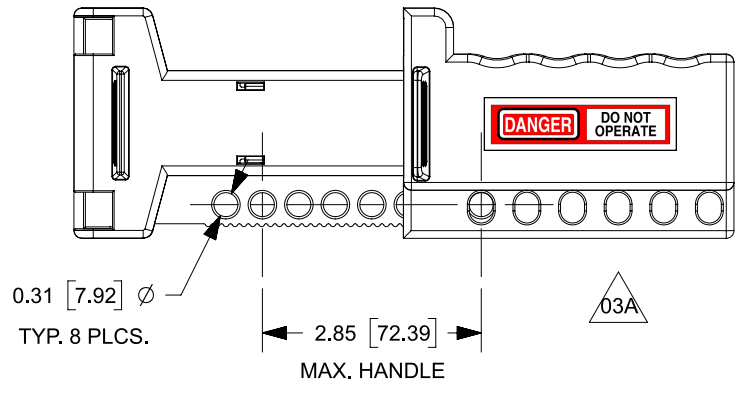
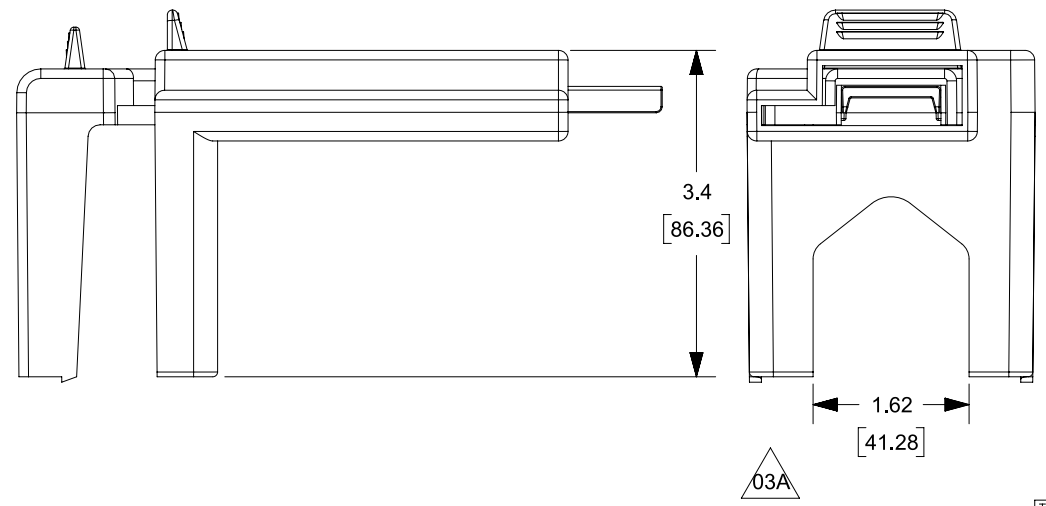


THIS COPY IS PROVIDED ON A RESTRICTED BASIS AND IS NOT TO BE USED IN ANY WAY DETRIMENTAL TO THE INTERESTS OF PANDUIT CORP.

PART NUMBER	VALVE SIZE in. [mm]	STANDARD PKG.	MAX. HANDLE LENGTH	MAX HANDLE WIDTH	OPERATING TEMPERATURE
PSL-BV1	3/8" - 1 1/4" [9.53 - 31.75]	1	2.85 [72.39]	3.00 [76.20]	-40°F(-40°C) TO 215°F(101°C)



NOTES:  
1. MILLIMETERS SHOWN IN ( ).



TITLE		PSL-BV1 BALL VALVE LOCKOUT		
CUSTOMER DRAWING				
ITEM REVISION NAME		100619XK/03		
DATASET FILE NAME		100619XK_DC/03A C10096 PSL-BV1 r03A CUST DWG		
UNLESS OTHERWISE SPECIFIED, DIMENSIONAL TOLERANCES ARE: IN [mm]		MATERIAL:		
.x ± 0.25 [6.35] .xxx ± 0.05 [1.27]		RED POLYPROPYLENE PANTONE PMS 186		
.xx ± 0.1 [2.54] ANGLES ±		DRAWING NUMBER:		
THIRD ANGLE PROJECTION		C10096		
DRAWN BY	DATE	CHK	SCALE	SIZE
RVU	9/12/03	JHAC	NTS	A
SHT 1 OF 1				

REV	DATE	BY	CHK	APR	DESCRIPTION	ECN
03A	3/11/2022	RVU	ANRO	RCMC	REPLACED ALL OLD PSL-BV1 MODEL TO CURRENT PSL-BV1 MODELS.	GAECN06143