

Project: \_\_\_\_\_ Type: \_\_\_\_\_

Drawn by: \_\_\_\_\_ Catalogue #: \_\_\_\_\_ Date: \_\_\_\_\_

## Individual Spec Sheet

# YLD-L

## LED YARD LIGHT

3 CCT AND 3 POWER SELECTABLE  
INTEGRATED PHOTOCELL

### ORDERING INFORMATION

**Order code:** 69175  
**Model number:** YLD-PS120A-W-3C-PT  
**UPC:** 069549025127  
**Case quantity:** 4  
**DLC Unique ID:** S-YOVADZ

### PHYSICAL DATA

**Lens Material:** Polycarbonate Lens  
**Housing Material:** Heavy-duty cast aluminum  
**Mounting:** Direct Wall Mount

### PERFORMANCE DATA

**Watts (W):** 72/96/120  
**Volts (V AC):** 120 - 277  
**Color temperature (K)<sup>1</sup>:** 3 000/4 000/5 000  
**Lumen output (lm)<sup>2</sup>:** 10 698 - 15 680  
**Efficacy (lm/W):** 124  
**CRI:** 80  
**Life L70 (h)<sup>3</sup>:** 50 000  
**Beam angle (°):** 133  
**Dimming:** No  
**Power factor:** >0.9  
**THD (%):** <20  
**Frequency (Hz):** 50/60  
**Surge protection (kV):** 4  
**Environment:** Wet  
**Input current (A):** 0.9481  
**Operating temp. range:** -40 °C to 45 °C

<sup>1</sup> Typical color temperature range: +/- 5 %.

<sup>2</sup> Lumen values are derived from photometric testing. Initial lumens range: +/- 10 %.

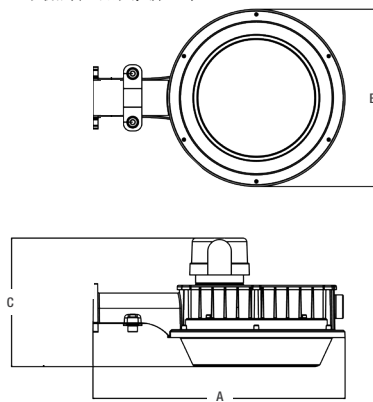
<sup>3</sup> Life hours are derived from IESNA LM80-08 testing report and projected per IESNA TM-21-11 extrapolations.



<sup>1</sup> Based on a maximum usage of 12 hours per day.  
Not all products are qualified on the DLC QPL.  
To view our DLC qualified products, please  
consult the DLC Qualified Products List at  
[www.designlights.org/search](http://www.designlights.org/search).

This lighting equipment meets requirements of ICES-005 issue 5 class B for use in residential applications.  
Data is based upon tests performed in a controlled environment.  
Actual performance can vary depending on operating conditions. Specifications are subject to change without notice.

**DIMENSIONS AND WEIGHT**



A	13.48" (34.25cm)
B	9.48"(24.10cm)
C	6.87" (17.47cm)
Net weight (lbs)	4.79

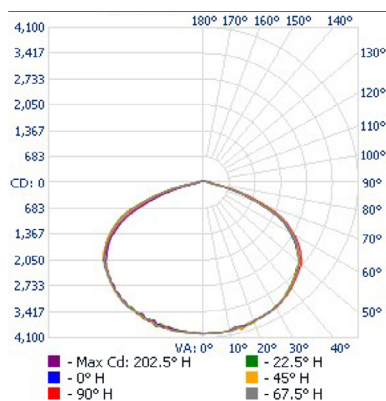
**ACCESSORY (order separately)**

Order code	Type
69176	15" ARM MOUNT KIT

**PHOTOMETRIC DATA<sup>1</sup>**

**69175 • YLD-PS120A-W-3C-PT • 120W • 4 000K • 15 303.6lm**

**Polar candela distribution**



**Zonal lumen summary**

Zone	Lumens	% Lamp	% Fixture
0-30	3 287.6	21.5	21.5
0-40	5 639.4	36.8	36.8
0-60	11 138.6	72.8	72.8
60-90	3 710.6	24.2	24.2
70-100	1 559.1	10.2	10.2
90-120	320.1	2.1	2.1
0-90	14 849.2	97	97
90-180	454.4	3	3
0-180	15 303.6	100	100

**Illuminance at a distance**

Center beam fc		Beam width	
17.0'	13.8	83.7'	84.4'
34.0'	3.45	167.5'	168.9'
51.0'	1.54	251.2'	253.3'
68.0'	0.86	334.9'	337.8'
85.0'	0.55	418.7'	422.2'
102.0'	0.38	502.4'	506.6'

■ Vert. spread: 135.8°  
■ Horiz. spread: 136.1°

<sup>1</sup> Complete IES files available on our website.

Qty	Description	Price

I accept the specifications of the luminaire configuration mentioned above.

Name: \_\_\_\_\_  
 Company: \_\_\_\_\_  
 Signature: \_\_\_\_\_

Date: \_\_\_\_\_

Data is based upon tests performed in a controlled environment. Actual performance can vary depending on operating conditions. All products are subject to change or may be discontinued any time without notice. Please contact your Stanpro customer service representative to confirm inventory levels at time of order.