



LS2-SERIES ACCESORIES

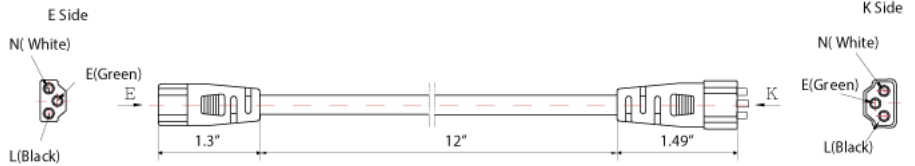
Catalog #	
Project	
Date	
Prepared by	
Model #	



**1 YEAR
WARRANTY**

PRODUCT INFORMATION

Model #	LS2-CON12
Description	12" Flexible Connector for LS2
Use	Connect two LS2 strips together
Dimensions	12" length



PRODUCT INFORMATION

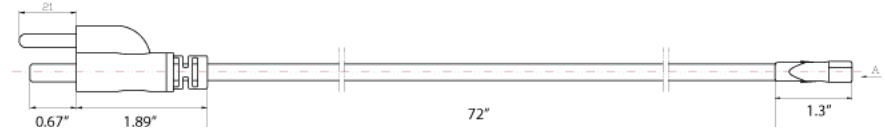
Model #	LS2-CON36
Description	36" Flexible Connector for LS2
Use	Connect two LS2 strips together
Dimensions	36" length





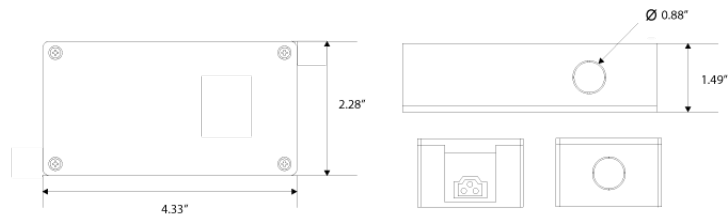
PRODUCT INFORMATION

Model #	LS2-PC6
Description	72" AC Power Cord for LS2, Three-Wire
Use	Plug LS2 strip into an electrical receptacle
Dimensions	6 foot length



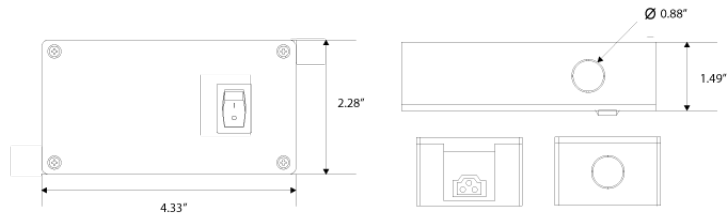
PRODUCT INFORMATION

Model #	LS2-JB
Description	120VAC Junction Box for LS2
Use	Plug in LS2 strip and hardwire junction box
Dimensions	4.33" x 2.28" x 1.49"



PRODUCT INFORMATION

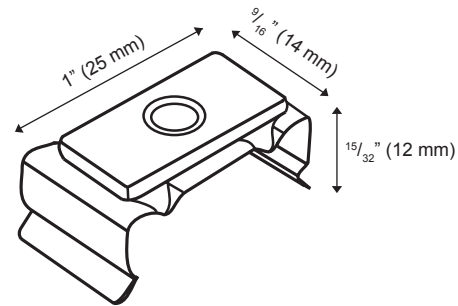
Model #	LS2-JBS
Description	120VAC Junction Box for LS2 with ON/OFF Toggle Switch
Use	Plug in LS2 strip and hardwire junction box
Dimensions	4.33" x 2.28" x 1.49"



Project	
Date	
Prepared by	
Model #	



PRODUCT INFORMATION	
Model #	LS2-MAGCLIP
Description	Magnetic Mounting Clip Kit (3 clips per kit)
Material	Steel
Use	Direct mount LS2 Series strips to a flat steel surface magnetically, without the use of screws
Dimensions	L: 1" (25 mm) x W: $\frac{9}{16}$ " (14mm) x H: $\frac{15}{32}$ " (12 mm)
Compatibility	LS2-9*, LS2-14*, LS2-23*: 2 clips required LS2-34*: 3 clips required LS2-47*: 4 clips required



PRODUCT INFORMATION	
Model #	LS2-MAGCLIP-90
Description	90° Magnetic Mounting Clip Kit (3 clips per kit)
Material	Steel
Use	Side/wall mount LS2 Series strips to a flat steel surface magnetically, without the use of screws
Dimensions	Clip Dimensions L: $1 \frac{5}{16}$ " (34 mm) x W: $\frac{9}{16}$ " (14mm) x H: $\frac{3}{8}$ " (10 mm) 90° Elbow Dimensions L: $1 \frac{1}{16}$ " (18 mm) x H: $\frac{7}{8}$ " (23 mm)
Compatibility	LS2-9*, LS2-14*, LS2-23*: 2 clips required LS2-34*: 3 clips required LS2-47*: 4 clips required

