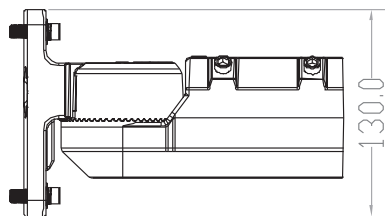
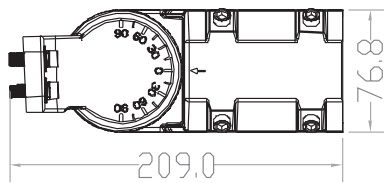
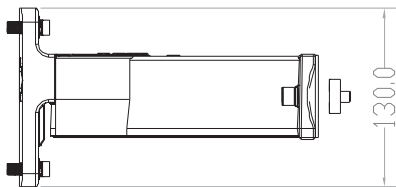
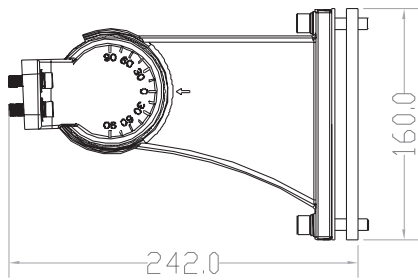


Project	
Date	
Prepared by	
Model #	

FL4-SERIES AREA / FLOOD LIGHT ACCESSORIES



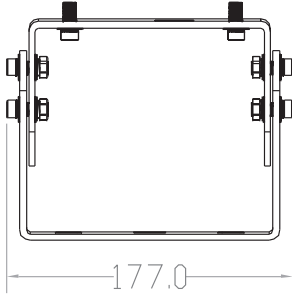
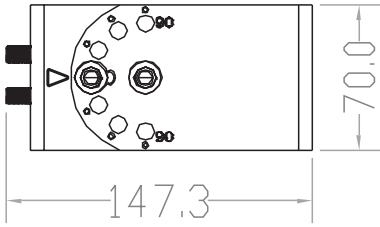
PRODUCT INFORMATION

Model #	FL-MA4
Description	Mounting Arm for FL4-Series Area/Flood Lights
Material	Aluminum Alloy
Compatible with	All FL4-Series Area/Flood Lights
Dimensions	9.5" x 6.3" x 5.1" 242mm x 160mm x 130mm



PRODUCT INFORMATION

Model #	FL-SF4
Description	Slip Fitter for FL4-Series Area/Flood Lights
Material	Aluminum Alloy
Compatible with	All FL4-Series Area/Flood Lights
Dimensions	8.2" x 5.1" x 3.0" 209mm x 130mm x 76.8mm



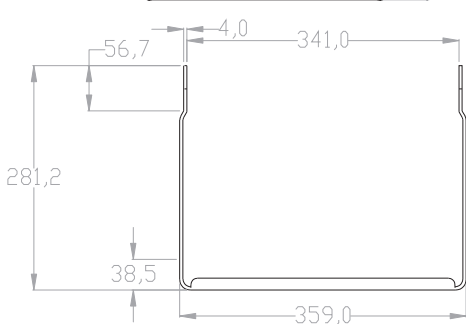
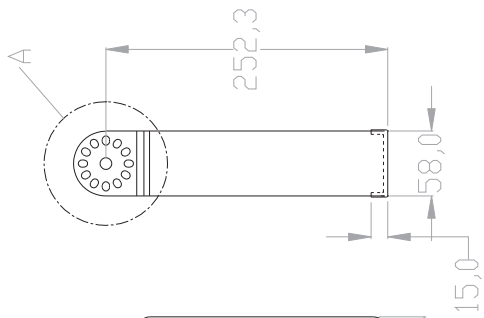
PRODUCT INFORMATION

Model #	FL-TR4
Description	Trunnion Mount for FL4-Series Area/Flood Lights
Material	Aluminum Alloy
Compatible with	All FL4-Series Area/Flood Lights
Dimensions	5.8" x 7" x 2.8" 147.3mm x 177mm x 70mm



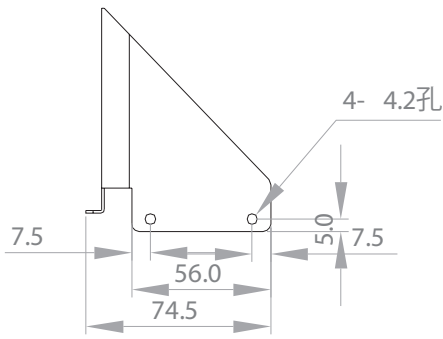
PRODUCT INFORMATION

Model #	FL-YK4
Description	Yoke Mount for FL4-Series Area/Flood Lights
Material	Aluminum Alloy
Compatible with	80W, 100W, 150, 200W, 240W, 300W Models
Dimensions	7.8" x 14.4" x 1.97" profile 197.7mm x 365.2mm x 50mm



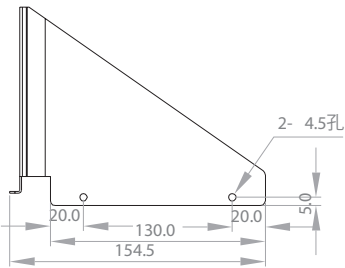
PRODUCT INFORMATION

Model #	FL-YK4504
Description	Yoke Mount for FL4-Series Area/Flood Lights
Material	Aluminum Alloy
Compatible with	450W Models
Dimensions	14.1" x 9.9" with 2.3" profile 359mm x 252.3mm x 58mm



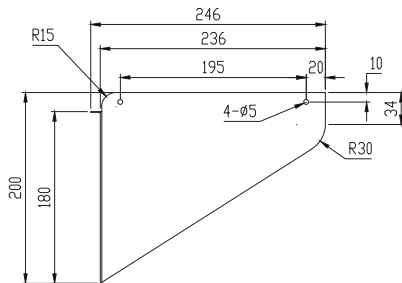
PRODUCT INFORMATION

Model #	FL-SHIELD14
Description	Glare Shield for FL4-Series Area/Flood Lights
Material	Aluminum Alloy
Compatible with	80W, 100W, 150W Models
Dimensions	13.5" x 3.5" x 2.9" 343mm x 90mm x 74.5mm



PRODUCT INFORMATION

Model #	FL-SHIELD24
Description	Glare Shield for FL4-Series Area/Flood Lights
Material	Aluminum Alloy
Compatible with	200W, 240W, 300W Models
Dimensions	13.5" x 6.1" x 4.7" 343mm x 154.5mm x 120mm



PRODUCT INFORMATION

Model #	FL-SHIELD34
Description	Glare Shield for FL4-Series Area/Flood Lights
Material	Aluminum Alloy
Compatible with	450W Models
Dimensions	13.5" x 9.3" x 7.9" 343mm x 236mm x 200mm