

Product Bulletin

LED Downlight
with Occupancy Sensor 9866

LEVITON

LED Downlight with Occupancy Sensor



Ideal for Closets, Storage Areas, Attics, Basements, Covered Porches and More

Adding switch-free convenience to indoor and outdoor applications is easy with our new LED Downlight with Occupancy Sensor. The device offers multiple sensor setting options and three adjustable color temperature options for easy customization to suit the needs of the user. It provides energy saving automatic shut-off and is Energy Star certified. Suitable for indoor and covered outdoor locations, the LED Downlight with Occupancy Sensor can automatically switch lights ON when it senses movement and OFF after no motion is detected. The ambient light override in nighttime mode prevents the sensor from switching lights ON when there is natural sunlight. It features a slim profile for easy installation: no ceiling box or J-box is required.

Applications

- Indoor use: closets, laundry rooms, storage areas, staircases, basements, hallways, attics, and more
- Outdoor use: covered porch or balcony, other covered outdoor areas with no direct exposure to moisture
- Attached or detached garages with no direct exposure to moisture



Available Color Temperatures



3000K:
Soft white, yellowish



4000K:
Cool white



5000K:
Daylight, bright white

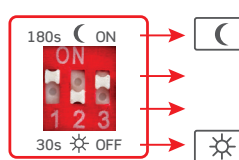
Features and Benefits

- Automatic ON/OFF Occupancy sensor – no wall switch required
- 360° Field of View
- Ceiling and wall mount compatible
- Resistant to nuisance triggering
- No recessed ceiling box or J-box required
- Can be used with 3 ½ or 4 ½ standard round ceiling box
- Backed by a Limited 5-Year Warranty

Agency Standards

- cETLus Listed – complies with Canada and U.S. safety requirements
- Energy Star Certified
- NOM
- FCC CFR Title 47 Part 15 Subpart B
- ICES-005: Issue 5
- Meets NFPA® 70, NEC® Section 410.16, C (1) Requirements

Sensor Settings



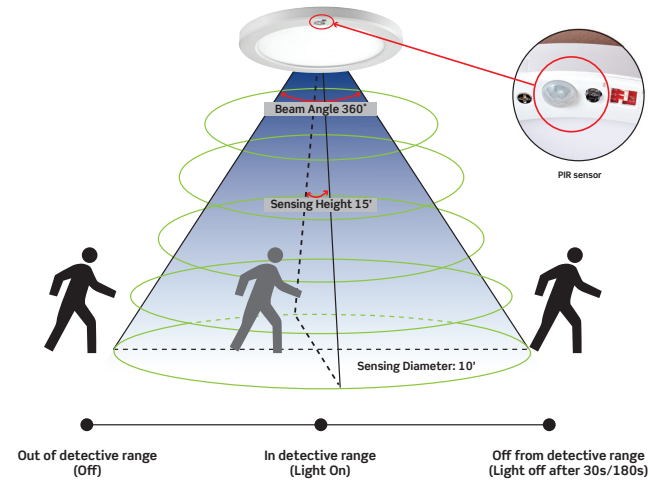
Switch 1: 30/180 seconds auto time-off options
 Switch 2: Sensor Modes

- Daytime – Turns on lamp regardless of ambient light.
- Nighttime – Only turns lamp on when sensor detects motion and there is no ambient light.

Switch 3: Sensor ON/OFF

- Turns off sensor so lamp can be used with a single pole switch.

Infrared Induction Range Diagram



Rating

- 120VAC
- 18W, +/- 10% LED module

Specifications

- Lamp Output = 1440 Lumens
- Average Luminaire Life = 30,000 hours



Step 1



Step 2

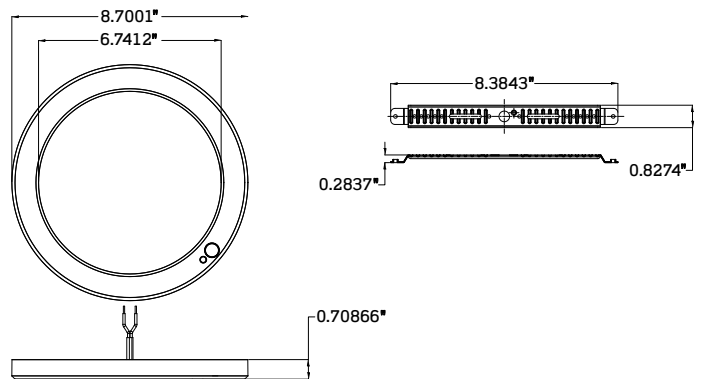


Step 3



Step 4

Dimensional Drawing



Ordering Information

Cat. No.	Description	UPC Number	Standard Pack
001-9866-BOW	LED Downlight with Occupancy Sensor	07847787745 6	1/Box, 20/Carton



Leviton Manufacturing Co., Inc.

Tech Line: 1-800-824-3005

Mon-Fri 8am-10pm EST, Saturday 9am-7pm EST, Sunday 9am-5pm EST

For 24/7 product support visit www.leviton.com/support

Visit our Website at: www.leviton.com/motionsensor