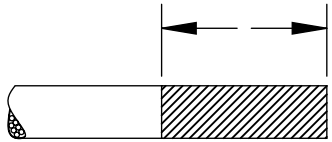
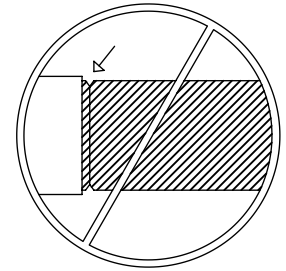
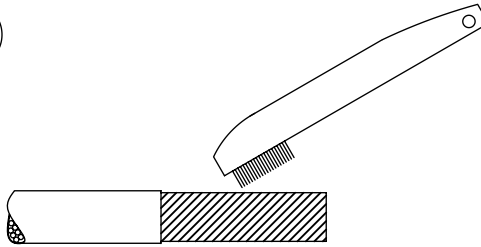




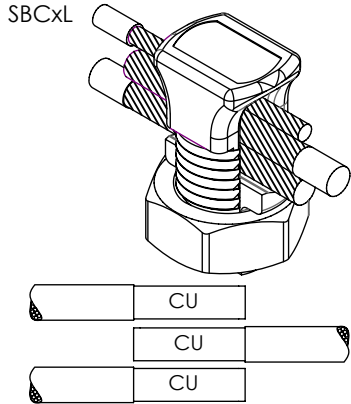
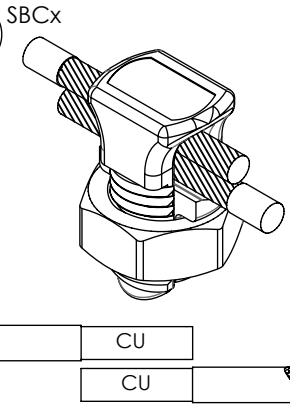
1



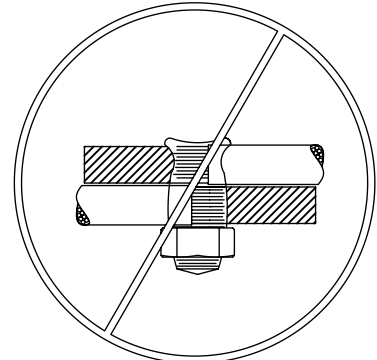
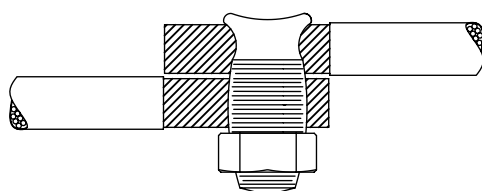
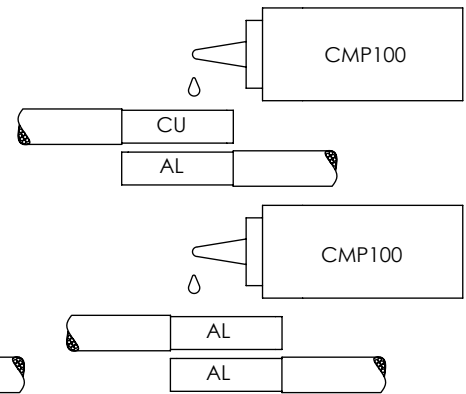
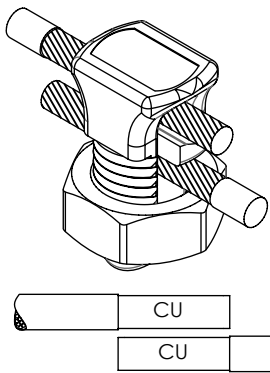
2



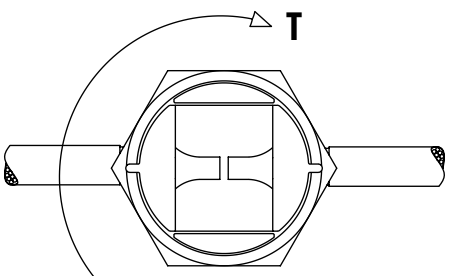
3



SBCTx



4



BOTTOM VIEW SHOWN

PART NUMBERS

- | | | |
|----------|---------|---------|
| SBC8 | SBC3/0 | SBCT2/0 |
| SBC6S | SBC250 | SBCT3/0 |
| △ SBC6SL | SBC350 | SBCT250 |
| SBC4S | SBC500 | SBCT350 |
| △ SBC4SL | SBCT8 | SBCT500 |
| SBC3 | SBCT6 | |
| SBC2 | SBCT3 | |
| SBC1/0 | SBCT2 | |
| SBC2/0 | SBCT1/0 | |

NOTE:
SBCT8 THRU SBCT2/0 ARE
UL LISTED FOR USE WITH BOTH
ALUMINUM AND COPPER CONDUCTORS

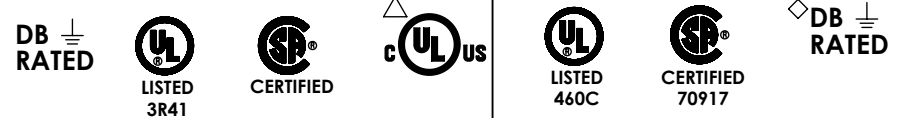
NOTE:
SBCT3/0 AND LARGER ARE
UL LISTED FOR USE WITH COPPER CONDUCTORS
THEY CAN STILL BE USED ON ALUMINUM CONDUCTORS,
HOWEVER THEY ARE NOTE UL LISTED FOR THAT APPLICATION

PART NUMBERS

- | | |
|---------|-----------|
| ◇ SBC8L | SBCT750* |
| ◇ SBC2L | SBCT1000* |
| SBC750 | |
| SBC1000 | |

NOTE:
*CAN BE USED ON ALUMINUM CONDUCTOR,
HOWEVER THEY ARE NOT UL LISTED FOR
THAT APPLICATION

NOTE:
OVER 500 kcmil NOT UL OR CSA
LISTED FOR GROUNDING OR BONDING



PART NUMBER	COPPER CONDUCTOR								REQUIRED TORQUE (IN-LB)
	MAXIMUM RUN TO MAXIMUM TAP		MINIMUM RUN TO MINIMUM TAP		MAXIMUM RUN TO MINIMUM TAP		MINIMUM EQUAL		
	RUN	TAP	RUN	TAP	RUN	TAP	RUN	TAP	
SBC8	8 STR 8 SOL	8 STR 8 SOL	10 STR 10 SOL	16 STR 16 SOL	8 STR 8 SOL	16 STR 16 SOL	10 STR 10 SOL	10 STR 10 SOL	80
SBCT8	6 SOL	6 SOL	8 STR 8 SOL	14 STR 14 SOL	6 STR 6 SOL	14 STR 14 SOL	8 STR 8 SOL	8 STR 8 SOL	165
SBC6S	6 SOL	6 SOL	8 STR 8 SOL	16 STR 16 SOL	6 SOL	16 SOL	8 STR 8 SOL	8 STR 8 SOL	165
SBC6SL									
SBCT6	6 STR 6 SOL	6 STR 6 SOL	8 STR 8 SOL	10 STR 10 SOL	6 STR 6 SOL	10 STR 10 SOL	8 STR 8 SOL	8 STR 8 SOL	165
SBC4S	6 STR 6 SOL	6 STR 6 SOL	8 STR 8 SOL	14 STR 14 SOL	6 STR 6 SOL	14 STR 14 SOL	8 STR 8 SOL	8 STR 8 SOL	165
SBC4SL									
SBC3	4 STR 4 SOL	4 STR 4 SOL	6 STR 6 SOL	14 STR 14 SOL	4 STR 4 SOL	14 STR 14 SOL	8 STR 8 SOL	8 STR 8 SOL	275
SBCT3	4 STR 4 SOL	4 STR 4 SOL	6 STR 6 SOL	10 STR 10 SOL	4 STR 4 SOL	10 STR 10 SOL	8 STR 8 SOL	8 STR 8 SOL	275
SBC2	2 STR 2 SOL	2 STR 2 SOL	6 STR 6 SOL	14 STR 14 SOL	2 STR 2 SOL	14 STR 14 SOL	6 STR 6 SOL	6 STR 6 SOL	275
SBCT2	2 STR 2 SOL	2 STR 2 SOL	6 STR 6 SOL	14 STR 14 SOL	2 STR 2 SOL	14 STR 14 SOL	6 STR 6 SOL	6 STR 6 SOL	275
SBC1/0	1/0 STR 1/0 SOL	1/0 STR 1/0 SOL	2 STR 2 SOL	14 STR 14 SOL	1/0 STR 1/0 SOL	14 STR 14 SOL	4 STR 4 SOL	4 STR 4 SOL	385
SBCT1/0	1/0 STR 1/0 SOL	1/0 STR 1/0 SOL	2 STR 2 SOL	10 STR 10 SOL	1/0 STR 1/0 SOL	10 STR 10 SOL	4 STR 4 SOL	4 STR 4 SOL	385
SBC2/0	2/0 STR 2/0 SOL	2/0 STR 2/0 SOL	1 STR 1 SOL	14 STR 14 SOL	2/0 STR 2/0 SOL	14 STR 14 SOL	2 STR 2 SOL	2 STR 2 SOL	385
SBCT2/0	2/0 STR 2/0 SOL	2/0 STR 2/0 SOL	1 STR 1 SOL	8 STR 8 SOL	2/0 STR 2/0 SOL	8 STR 8 SOL	2 STR 2 SOL	2 STR 2 SOL	385
SBC3/0	3/0 STR 3/0 SOL	3/0 STR 3/0 SOL	2/0 STR	8 STR	3/0 STR 3/0 SOL	8 STR 8 SOL	1 STR 1 SOL	1 STR 1 SOL	500
SBCT3/0	3/0 STR 3/0 SOL	3/0 STR 3/0 SOL	2/0 STR 2/0 SOL	8 STR 8 SOL	3/0 STR 3/0 SOL	8 STR 8 SOL	1 STR 1 SOL	1 STR 1 SOL	500
SBC250	250 STR	250 STR	4/0 STR 4/0 SOL	8 STR 8 SOL	250 STR	8 STR	1 STR 1 SOL	1 STR 1 SOL	650
SBCT250									
SBC350	350 STR	350 STR	350 STR 350 SOL	1/0 STR 1/0 SOL	350 STR	1/0 STR	2/0 STR 2/0 SOL	2/0 STR 2/0 SOL	650
SBCT350	350 STR	350 STR	350 STR	1/0 STR	350 STR	1/0 STR	2/0 STR 2/0 SOL	2/0 STR 2/0 SOL	650
SBC500	500 STR	500 STR	500 STR 500 SOL	2/0 STR 2/0 SOL	500 STR	2/0 STR	300 STR	300 STR	825
SBCT500	500 STR	500 STR	400 STR	2/0 STR	500 STR	2/0 STR	300 STR	300 STR	825

PART NUMBER	COPPER CONDUCTORS			MAX CONDUCTOR		REQUIRED TORQUE (IN-LB)
	RANGE OF EQUAL RUN & TAP		MIN TAP WITH ONE MAX MAIN	COPPERWELD		
	MIN.	MAX.		STR.	TYPE A	
SBC8L	16 STR	8 STR	16 STR	---	---	80
SBC2L	6 SOL	2 STR	14 STR	3 No. 7	3A	275
SBC750	350 kcmil	750 kcmil	8 SOL	19 No. 5	---	1000
SBCT750	250 kcmil	750 kcmil	2/0 STR	19 No. 5	---	1000
SBC1000	500 kcmil	1000 kcmil	8 SOL	---	---	1100
SBCT1000	350 kcmil	1000 kcmil	4/0 STR	---	---	1100

For Instructions in Local Languages and Technical Support:



E-mail: cs@panduit.com