

## L2STN LED STRIP 3 CCT Selectable

### ORDERING INFORMATION

<b>Order code:</b>	68539
<b>Model number:</b>	L2STN-24LS1-Q/3C
<b>UPC:</b>	069549017191
<b>Case quantity:</b>	6
<b>DLC unique ID:</b>	S-5HIM78 (DLC Premium) / PLBX7XSC4FM8 (DLC Standard)

### PHYSICAL DATA

<b>Length:</b>	22 1/4" (564 mm)
<b>Lens material:</b>	Frosted PMMA
<b>Housing material:</b>	24 gauge white powder painted steel
<b>Mounting:</b>	Surface, suspended or row mounted (V-Hooks included in the box)

### PERFORMANCE DATA

<b>Watts (W):</b>	20
<b>Volts (V AC):</b>	120-347
<b>Color temperature (K)<sup>1</sup>:</b>	3 500/4 000/5 000
<b>Lumen output (lm)<sup>2</sup>:</b>	2 640
<b>Efficacy (lm/W):</b>	132
<b>CRI:</b>	80+
<b>Life L70 (h)<sup>3</sup>:</b>	190 000
<b>Tested LM-80 (h)<sup>3</sup>:</b>	9 000
<b>Dimming:</b>	0-10V
<b>Power factor:</b>	0.90
<b>THD (%):</b>	10
<b>Frequency (Hz):</b>	50/60
<b>Surge protection (kV):</b>	2.5
<b>Input current (A):</b>	0.17-0.06
<b>Operating temp. range:</b>	-20°C to 50°C (-4°F to 122°F)

<sup>1</sup> Typical color temperature range: +/- 5%.

<sup>2</sup> Lumen values are derived from DLC reported data at 3 500 K. Please refer to the LUMEN SPECIFICATION TABLE for more details on other color temperatures.

<sup>3</sup> Life hours are derived from IESNA LM80-08 testing report and projected per IESNA TM-21-11 extrapolations.

### LUMEN SPECIFICATION TABLE

3 500 K		4 000 K		5 000 K	
Lumen output (lm)	Efficacy (lm/W)	Lumen output (lm)	Efficacy (lm/W)	Lumen output (lm)	Efficacy (lm/W)
2 640	132	2 660	133	2 680	134

**DEFAULT PROGRAMMING**  
4 000 K

### ACCESSORIES (order separately)

Order code	Type
68676	Suspension kit - 2 chains (1 m)
68677	Continuous row mounting connector
68678	Replacement lens 24"



Not all products are qualified on the DLC QPL. To view our DLC qualified products, please consult the DLC Qualified Products List at [www.designlights.org/search](http://www.designlights.org/search).

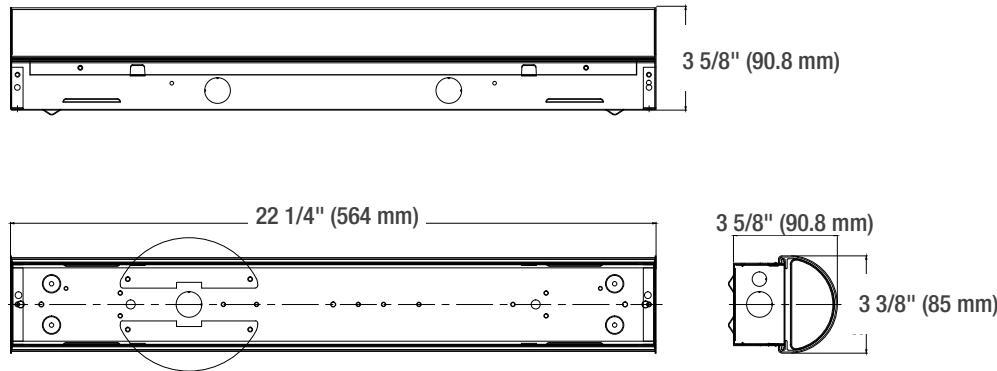
**COMPATIBLE DIMMERS<sup>1</sup>**

Brand	Model
LEVITON	ILLUMATECH IP710-LFZ
LUTRON	DIVADVSTV
	Maestro MS-Z101
	Nova T NTSTV
PHILIPS	Sunrise SR1200ZTUNV

Dimming range: 10%-100%

<sup>1</sup> This table shows dimmers that have been tested and have demonstrated proper operation under normal conditions. Each installation being unique, various factors such as load, common neutrals or other electrical products on the circuit can, in certain instances, cause variance in system performance. Read and comply to the dimmer installation instructions. Consult dimming system manufacturer for additional support in operation. Some dimmers may require more than one product for stable operation. Stanpro recommends to use dimmers designed to work with LED products. Older dimmers designed for incandescent products may cause erratic operation.

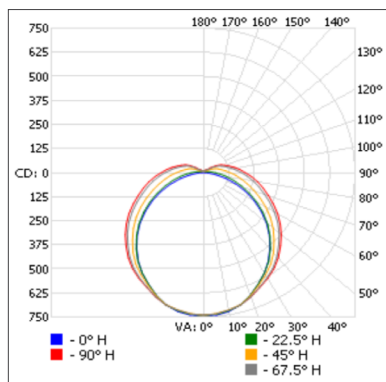
**DIMENSIONS**



**PHOTOMETRIC DATA<sup>1</sup>**

68539 • L2STN-24LS1-Q/3C • 4 000 K • 2 658.0 lm

**Polar candela distribution**



**Zonal lumen summary**

Zone	Lumens	% Fixture
0-30	569.0	21.4
0-40	932.7	35.1
0-60	1678.4	63.1
60-90	701.3	26.4
70-100	510.0	19.2
90-120	234.3	8.8
0-90	2 379.7	89.5
90-180	278.3	10.5
0-180	2 658.0	100

**Illuminance at a distance**

Center beam fc		Beam width	
1.7'	256	4.5'	7.6'
3.3'	68.0	8.8'	14.7'
5.0'	29.6	13.3'	22.3'
6.7'	16.5	17.8'	29.9'
8.3'	10.8	21.1'	37.0'
10.0'	7.41	26.6'	44.6'

Vert. spread: 106.27°  
Horiz. spread: 131.7°

<sup>1</sup> Complete IES files available on our website.

Qty	Description	Price

I accept the specifications of the luminaire configuration mentioned above.

Name: \_\_\_\_\_  
 Company: \_\_\_\_\_  
 Signature: \_\_\_\_\_

Date: \_\_\_\_\_

Data is based upon tests performed in a controlled environment. Actual performance can vary depending on operating conditions. All products are subject to change or may be discontinued any time without notice.