

FL04B Flood / Area Light

300W | 5000K | 120-347V

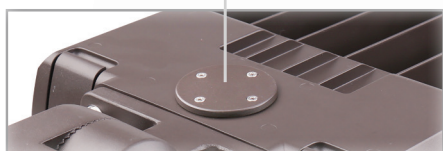


TRUE UNIVERSAL POWER INPUT FROM 120-347V!

A versatile, clean, and modern appearance that brings a pleasing aesthetic to any project

Removable Access Plate

for easy field installation of twist lock photocell receptacle



Type III Polycarbonate Optics

Type IV and V available

Rugged Die Cast Aluminum Housing

(Bronze)

Pre-wired for Optional Motion Sensor

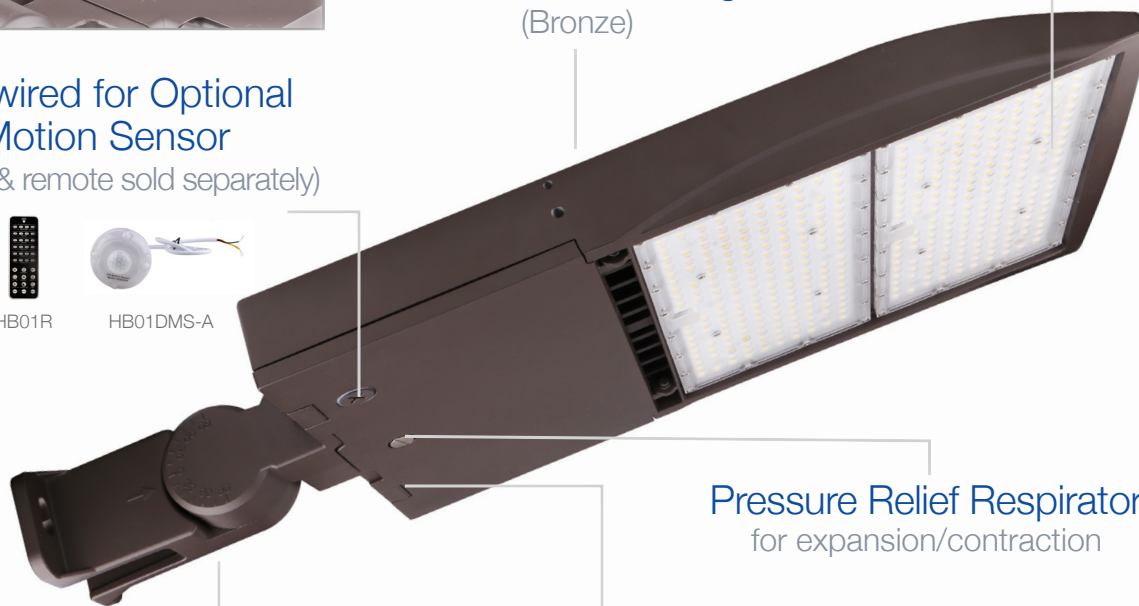
(Sensor & remote sold separately)



HB01R



HB01DMS-A



Pressure Relief Respirator

for expansion/contraction

Quick-Release, Hinged Access Cover

for control compartment

Complete with Trunnion

Interchangeable mounting options sold separately

Accessories (Ordered Separately):

Yoke Mount, Slip Fit, Pole Mount, Multi Mount, Motion Sensor Remote, Motion Sensor, Type IV and V Optics, Photocell and Receptacle, Shield



FL04-YK-HG



FL04-SF



FL04-PM



FL04-MM



HB01R



HB01DMS-A

TECHNICAL DATA



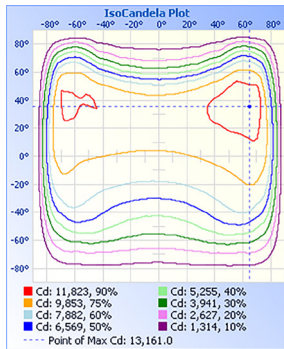
LIGHT SPECIFICATIONS

Lumens	41,344 lm
Efficacy	137 lm/W
CCT	5000K
CRI	73
L70 Life	50,000 hrs
Dimmable	0-10V
Warranty	10-year

APPROVALS AND LISTINGS

cUL	E482965
DLC	PLRRBFSLVXK0

ISOCANDELA

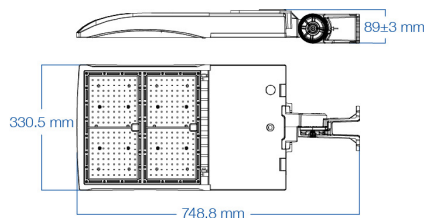


ILLUMINANCE AT A DISTANCE

Distance	Center Beam fc	Beam Width
17.0ft	32.9 fc	56.2 ft 195.1 ft
34.0ft	8.21 fc	112.5 ft 390.2 ft
51.0ft	3.65 fc	168.7 ft 585.4 ft
68.0ft	2.05 fc	224.9 ft 780.5 ft
85.0ft	1.31 fc	281.1 ft 975.6 ft
102.0ft	0.91 fc	337.4 ft 1,170.7 ft

■ Vert. Spread: 117.7°
■ Horiz. Spread: 160.2°

DIMENSIONS (SHOWN WITH TRUNNION MOUNT)



ELECTRICAL

Wattage	300W
Voltage	120-347V
Power Factor	0.9
THD	15%
Operating Temp	-35 to 50°C

CONSTRUCTION

Housing	Die-Cast Aluminum
Cover	Polycarbonate
Finish	Bronze
IP Rating	IP65
EPA	2.31 ft²
Net Weight	9.32 kg
Gross Weight	10.32 kg
Carton Qty	1
Carton Dimensions	915 x 380 x 155 mm

ACCESSORIES (SOLD SEPARATELY)

Slip Fit	FL04-SF
Pole Mount	FL04-PM
Multi Mount	FL04-MM
Yoke Mount	FL04-YK-HG
Motion Sensor	HB01DMS-A
Motion Sensor Remote	HB01R
Photocell and Receptacle for 120-277V sites	JL-200 and JL-205LV
Photocell and Receptacle for 277-480V sites	JL-200 and JL-207E
Shield	FL04B-SHIELD-LG
Type IV Optics	FL04B-TYPE-IV
Type V Optics	FL04B-TYPE-V

Note: If purchasing FL04B-TYPE-IV or FL04B-TYPE-V, you must order a quantity of 2 for this fixture (sold separately)