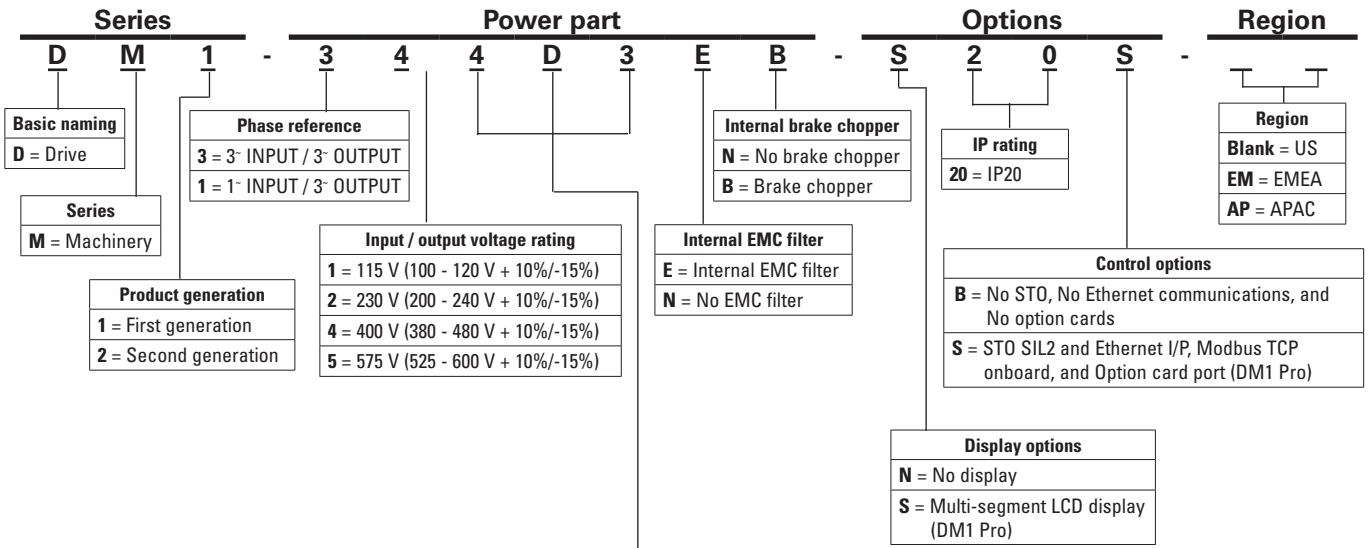


Catalog number system

Figure 2 is for illustrative purposes only, please select a part number from the table below.

Figure 2. Catalog numbering system.



Output current rating (single phase)		Output current rating (three phase)		
100 - 120 v	200 - 240 v	200 - 240 v	380 - 480 v	525 - 600 v
1D6 = 1.6 A, 0.18 kW, 0.25 hp	1D6 = 1.6 A, 0.18 kW, 0.25 hp	1D6 = 1.6 A, 0.18 kW, 0.25 hp	1D5 = 1.5 A, 0.37 kW, 0.50 hp	4D5 = 4.5 A, 2.20 kW, 3.00 hp
3D0 = 3.0 A, 0.37 kW, 0.50 hp	3D0 = 3.0 A, 0.37 kW, 0.50 hp	3D0 = 3.0 A, 0.37 kW, 0.50 hp	2D2 = 2.2 A, 0.75 kW, 1.00 hp	7D5 = 7.5 A, 3.00 kW, 5.00 hp
4D8 = 4.8 A, 0.75 kW, 1.00 hp	4D8 = 4.8 A, 0.75 kW, 1.00 hp	4D8 = 4.8 A, 0.75 kW, 1.00 hp	4D3 = 4.3 A, 1.50 kW, 2.00 hp	010 = 10.0 A, 5.50 kW, 7.50 hp
6D9 = 6.9 A, 1.10 kW, 1.50 hp	7D8 = 7.8 A, 1.50 kW, 2.00 hp	7D8 = 7.8 A, 1.50 kW, 2.00 hp	5D6 = 5.6 A, 2.20 kW, 3.00 hp	013 = 13.5 A, 7.50 kW, 10.00 hp
	011 = 11.0 A, 2.20 kW, 3.00 hp	011 = 11.0 A, 2.20 kW, 3.00 hp	7D6 = 7.6 A, 3.00 kW, 5.00 hp	018 = 18.0 A, 11.00 kW, 15.00 hp
	017 = 17.5 A, 4.00 kW, 5.00 hp	017 = 17.5 A, 4.00 kW, 5.00 hp	012 = 12.0 A, 5.50 kW, 7.50 hp	022 = 22.0 A, 15.00 kW, 20.00 hp
		025 = 25.3 A, 5.50 kW, 7.50 hp	016 = 16.0 A, 7.50 kW, 10.00 hp	
		032 = 32.2 A, 7.50 kW, 10.00 hp	023 = 23.0 A, 11.00 kW, 15.00 hp	
		048 = 48.3 A, 11.00 kW, 15.00 hp	031 = 31.0 A, 15.00 kW, 20.00 hp	
			038 = 38.0 A, 18.50 kW, 25.00 hp	

Shading legend

FR1	FR2	FR3	FR4
-----	-----	-----	-----

DM1 option cards list:

- 1) DXM-NET-PROFIBUS : DM1 PROFIBUS communications card
- 2) DXM-NET-CANOPEN : DM1 CANOPEN communication card
- 3) DXG-NET-SWD-IP20 DM1/DG1: Smartwire communication card and module IP20
- 4) DXG-NET-SWD-IP54 DM1/DG1 : Smartwire communication card and module IP54

Power ratings and product selection

Table 2. PowerXL DM1 Series drives 230 V 3-phase input.

Frame size	Constant torque (CT)/high overload (I _n)			Variable torque (VT)/low overload (I _r)			No EMC Catalog number	With EMC Catalog number
	230 V, 50 Hz kW rating	230 V, 60 Hz hp	Current A	230 V, 50 Hz kW rating	230 V, 60 Hz hp	Current A		
FR1	0.18	0.25	1.6	0.37	0.5	2.5	DM1-321D6NB-N20B	DM1-321D6EB-N20B
	0.37	0.5	3	0.75	1	4.8	DM1-323D0NB-N20B	DM1-323D0EB-N20B
	0.75	1	4.8	1.5	2	7.8	DM1-324D8NB-N20B	DM1-324D8EB-N20B
	1.5	2	7.8	2.2	3	11	DM1-327D8NB-N20B	DM1-327D8EB-N20B
FR2	2.2	3	11	4	5	17.5	DM1-32011NB-N20B	DM1-32011EB-N20B
	4	5	17.5	5.5	7.5	25.3	DM1-32017NB-N20B	DM1-32017EB-N20B
FR3	5.5	7.5	25.3	7.5	10	32.2	DM1-32025NB-N20B	DM1-32025EB-N20B
FR4	7.5	10	32.2	11	15	48.3	DM1-32032NB-N20B	DM1-32032EB-N20B
	11	15	48.3	15	20	62.1	DM1-32048NB-N20B	DM1-32048EB-N20B

Table 3. PowerXL DM1 Series drives 480 V 3-phase input.

Frame size	Constant torque (CT)/high overload (I _n)			Variable torque (VT)/low overload (I _r)			No EMC Catalog number	With EMC Catalog number
	480 V, 50 Hz kW rating	480 V, 60 Hz hp	Current A	480 V, 50 Hz kW rating	480 V, 60 Hz hp	Current A		
FR1	0.37	0.5	1.5	0.75	1	2.2	DM1-341D5NB-N20B	DM1-341D5EB-N20B
	0.75	1	2.2	1.5	2	4.3	DM1-342D2NB-N20B	DM1-342D2EB-N20B
	1.5	2	4.3	2.2	3	5.6	DM1-344D3NB-N20B	DM1-344D3EB-N20B
	2.2	3	5.6	3	5	7.6	DM1-345D6NB-N20B	DM1-345D6EB-N20B
FR2	3	5	7.6	5.5	7.5	12	DM1-347D6NB-N20B	DM1-347D6EB-N20B
	5.5	7.5	12	7.5	10	16	DM1-34012NB-N20B	DM1-34012EB-N20B
	7.5	10	16	11	15	23	DM1-34016NB-N20B	DM1-34016EB-N20B
FR3	11	15	23	15	20	31	DM1-34023NB-N20B	DM1-34023EB-N20B
FR4	15	20	31	18.5	25	38	DM1-34031NB-N20B	DM1-34031EB-N20B
	18.5	25	38	22	30	46	DM1-34038NB-N20B	DM1-34038EB-N20B

Table 4. PowerXL DM1 PRO Series drives 115 V single phase input.

Frame size	Constant torque (CT)/high overload (I _n)			Variable torque (VT)/low overload (I _r)			No EMC Catalog number	With EMC Catalog number
	230 V, 50 Hz kW rating	230 V, 60 Hz hp	Current A	230 V, 50 Hz kW rating	230 V, 60 Hz hp	Current A		
FR1	0.18	0.25	1.6	0.37	0.5	2.5	DM1-111D6NB-S20S	DM1-111D6EB-S20S
	0.37	0.5	3	0.75	1	4.8	DM1-113D0NB-S20S	DM1-113D0EB-S20S
FR2	0.75	1	4.8	1.1	1.5	6.9	DM1-114D8NB-S20S	DM1-114D8EB-S20S
	1.1	1.5	6.9	1.5	2	7.8	DM1-116D9NB-S20S	DM1-116D9EB-S20S

Table 5. PowerXL DM1 PRO Series drives 230 V single phase input.

Frame size	Constant torque (CT)/high overload (I _H)			Variable torque (VT)/low overload (I _L)			No EMC Catalog number	With EMC Catalog number
	230 V, 50 Hz kW rating	230 V, 60 Hz hp	Current A	230 V, 50 Hz kW rating	230 V, 60 Hz hp	Current A		
FR1	0.18	0.25	1.6	0.37	0.5	2.5	DM1-121D6NB-S20S	DM1-121D6EB-S20S
	0.37	0.5	3	0.75	1	4.8	DM1-123D0NB-S20S	DM1-123D0EB-S20S
	0.75	1	4.8	1.5	2	7.8	DM1-124D8NB-S20S	DM1-124D8EB-S20S
FR2	1.5	2	7.8	2.2	3	11	DM1-127D8NB-S20S	DM1-127D8EB-S20S
	2.2	3	11	4	5	17.5	DM1-12011NB-S20S	DM1-12011EB-S20S
FR3	4	5	17.5	5.5	7.5	25.3	DM1-12017NB-S20S	DM1-12017EB-S20S

Table 6. PowerXL DM1 PRO Series drives 230 V 3-phase input.

Frame size	Constant torque (CT)/high overload (I _H)			Variable torque (VT)/low overload (I _L)			No EMC Catalog number	With EMC Catalog number
	230 V, 50 Hz kW rating	230 V, 60 Hz hp	Current A	230 V, 50 Hz kW rating	230 V, 60 Hz hp	Current A		
FR1	0.18	0.25	1.6	0.37	0.5	2.5	DM1-321D6NB-S20S	DM1-321D6EB-S20S
	0.37	0.5	3	0.75	1	4.8	DM1-323D0NB-S20S	DM1-323D0EB-S20S
	0.75	1	4.8	1.5	2	7.8	DM1-324D8NB-S20S	DM1-324D8EB-S20S
	1.5	2	7.8	2.2	3	11	DM1-327D8NB-S20S	DM1-327D8EB-S20S
FR2	2.2	3	11	4	5	17.5	DM1-32011NB-S20S	DM1-32011EB-S20S
	4	5	17.5	5.5	7.5	25.3	DM1-32017NB-S20S	DM1-32017EB-S20S
FR3	5.5	7.5	25.3	7.5	10	32.2	DM1-32025NB-S20S	DM1-32025EB-S20S
FR4	7.5	10	32.2	11	15	48.3	DM1-32032NB-S20S	DM1-32032EB-S20S
	11	15	48.3	15	20	62.1	DM1-32048NB-S20S	DM1-32048EB-S20S

Table 7. PowerXL DM1 PRO Series drives 480 V 3-phase input.

Frame size	Constant torque (CT)/high overload (I _H)			Variable torque (VT)/low overload (I _L)			No EMC Catalog number	With EMC Catalog number
	480 V, 50 Hz kW rating	480 V, 60 Hz hp	Current A	480 V, 50 Hz kW rating	480 V, 60 Hz hp	Current A		
FR1	0.37	0.5	1.5	0.75	1	2.2	DM1-341D5NB-S20S	DM1-341D5EB-S20S
	0.75	1	2.2	1.5	2	4.3	DM1-342D2NB-S20S	DM1-342D2EB-S20S
	1.5	2	4.3	2.2	3	5.6	DM1-344D3NB-S20S	DM1-344D3EB-S20S
	2.2	3	5.6	3	5	7.6	DM1-345D6NB-S20S	DM1-345D6EB-S20S
FR2	3	5	7.6	5.5	7.5	12	DM1-347D6NB-S20S	DM1-347D6EB-S20S
	5.5	7.5	12	7.5	10	16	DM1-34012NB-S20S	DM1-34012EB-S20S
	7.5	10	16	11	15	23	DM1-34016NB-S20S	DM1-34016EB-S20S
FR3	11	15	23	15	20	31	DM1-34023NB-S20S	DM1-34023EB-S20S
FR4	15	20	31	18.5	25	38	DM1-34031NB-S20S	DM1-34031EB-S20S
	18.5	25	38	22	30	46	DM1-34038NB-S20S	DM1-34038EB-S20S